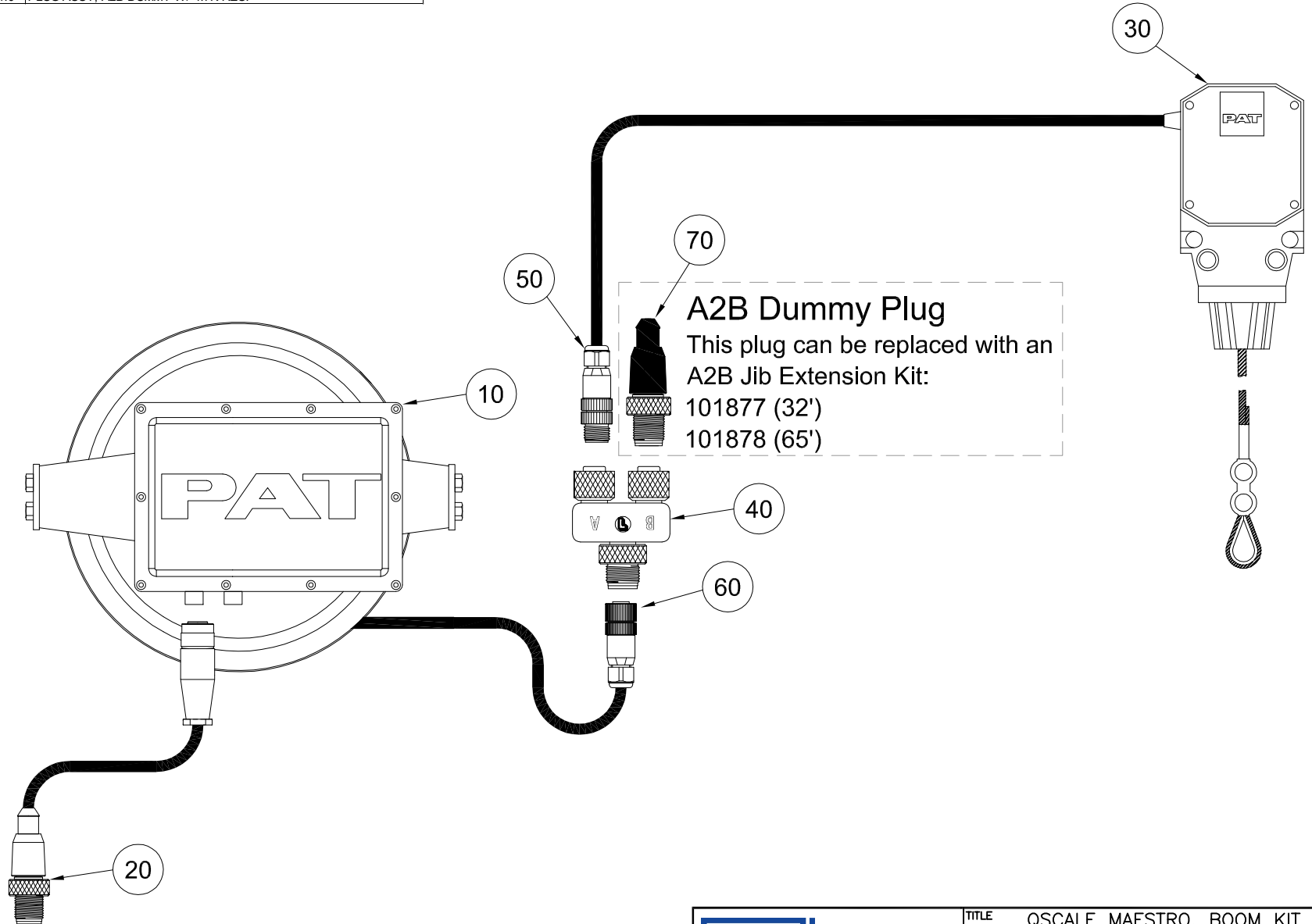


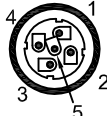
ITEM	PART NUMBER	QTY	DESCRIPTION
10	83901395	1.0	Cable Reel, LWG 508/1027, 42/32m, CAN, SR11, CCW
20	27866	1.0	0935 253 103/15 M
30	031-002-060-011	1.0	SWITCH, A2B W/CRIMP W/12 WIRE
40	600005221	1.0	ASBS 2 M12-5 1-1 68008 M12-T, ORANGE, MALE TO 2X FEMALE PA
50	600005194	1.0	RSC 5/7 11590
60	600005177	1.0	RKC 5/7 11220
70	060949	1.0	PLUG ASSY, A2B DUMMY W/ 4.7K RES.

REV	ECN	DESCRIPTION	BY	APV	DATE
A	18-062	Initial release	RBM	JM	09/05/17
C	18-140	Changed 6 pin receptacle to 5-pole T-connector	RBM	JM	08/31/18
D	20-093	Replaced cable reel	RBM	JM	09/23/20

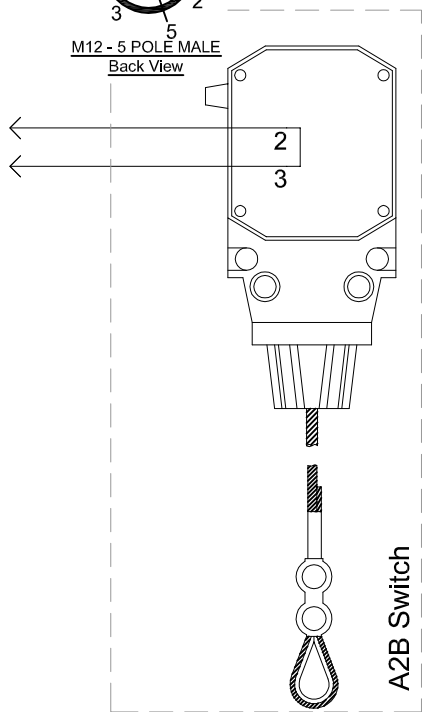


	WIKAI MOBILE CONTROL 1540 ORCHARD DRIVE CHAMBERSBURG, PA 17201	TITLE QSCALE MAESTRO, BOOM KIT NEW CABLE REEL	
		GENERAL TOLERANCES	ECN: 2018-062 102126
IN. DIM. DEC. PLACES MM DIM.	DRAWN RBM APPROVED JM	09-06-17 09-06-17	REV D
$\pm 0.1"$ 1 PLACE DEC. $\pm 2.5\text{mm}$	SCALE: NONE	SHEET: 1 OF 1	
$\pm 0.01"$ 2 PLACE DEC. $\pm 0.25\text{mm}$	DWG NO. 102126_06		
$\pm 0.005"$ 3 PLACE DEC. $\pm 0.13\text{mm}$			
$1/16"$ FRACTION $\pm 1.5\text{mm}$			
WMC reserves proprietary rights to this drawings and to the data shown thereon. The drawing and data are confidential and are not to be used or reproduced without the written consent of WMC. This drawing is subject to technical modification with out notice.		C.A.G.E. 79760	

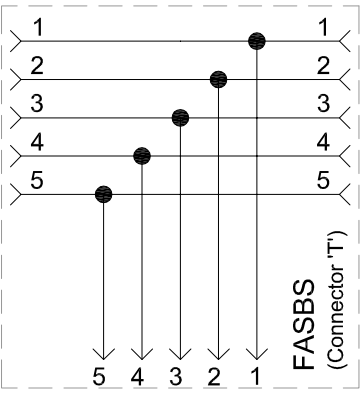
REV	ECN	DESCRIPTION	BY	APV	DATE
A	18-062	Initial release	RBM	JM	09/05/17
C	18-140	Changed 6 pin receptacle to 5-pole T-connector	RBM	JM	08/31/18
D	20-093	Replaced cable reel	RBM	JM	09/23/20



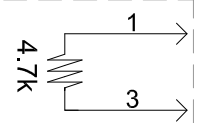
M12-5 POLE MALE
Back View



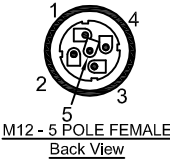
A2B Switch



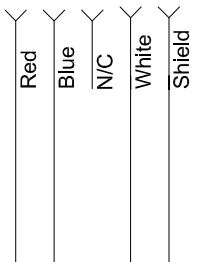
FASBS
(Connector 'T')



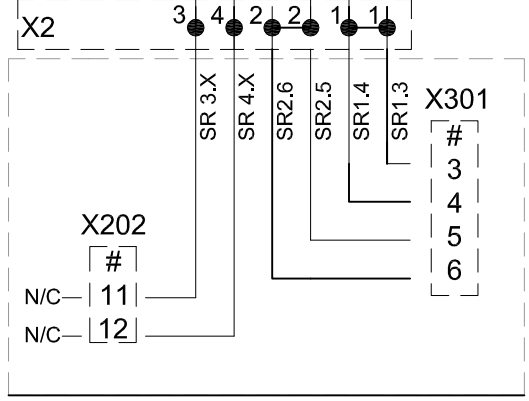
A2B Dummy Plug



M12-5 POLE FEMALE
Back View



Connection
Box



CABLE REEL

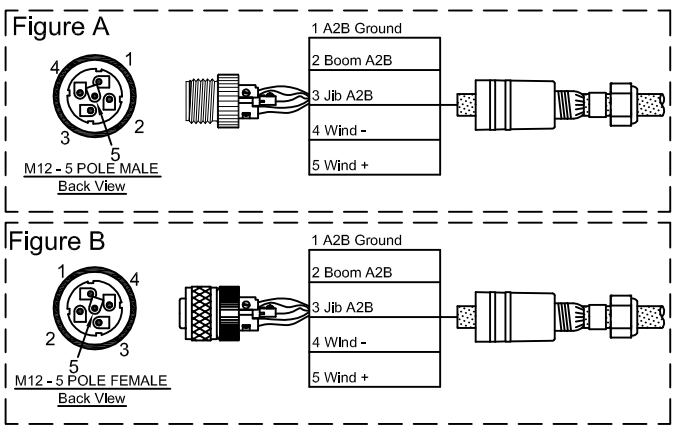


Figure A

Figure B

		WIKAI MOBILE CONTROL 1540 ORCHARD DRIVE CHAMBERSBURG, PA 17201		TITLE QSCALE MAESTRO, BOOM KIT NEW CABLE REEL	
GENERAL TOLERANCES		ECN: 2018-062		102126	
IN. DIM.	DEC. PLACES	MM DIM.	DEC. PLACES	DRAWN	RBM
$\pm 0.1"$	1 PLACE DEC.	$\pm 2.5\text{mm}$	2 PLACE DEC.	APPROVED	JM
$\pm 0.005"$	3 PLACE DEC.	$\pm 0.13\text{mm}$	1 PLACE DEC.	SCALE: NONE	SHEET: 1 OF 2
$1/16"$	FRACTION	$\pm 1.5\text{mm}$	DWG NO.	102126_06	
WMC reserves proprietary rights to this drawings and to the data shown thereon. The drawing and data are confidential and are not to be used or reproduced without the written consent of WMC. This drawing is subject to technical modification with out notice.				REV	
C.A.G.E. 79760				D	