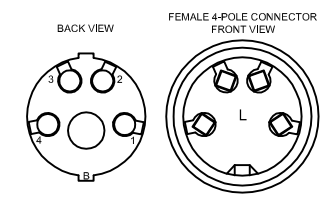
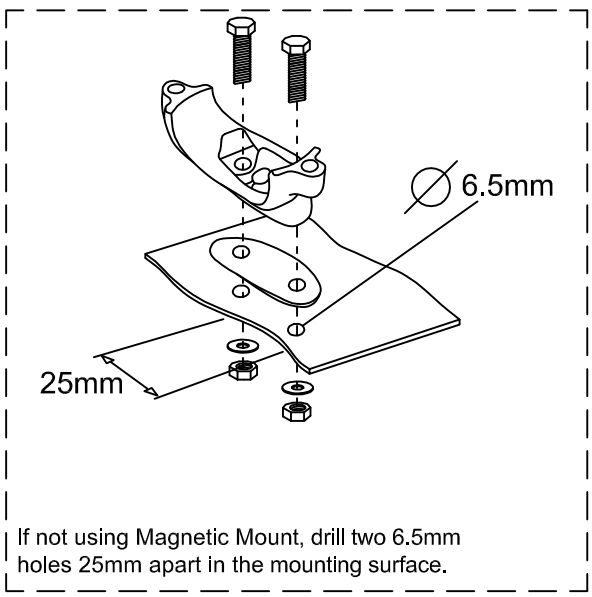
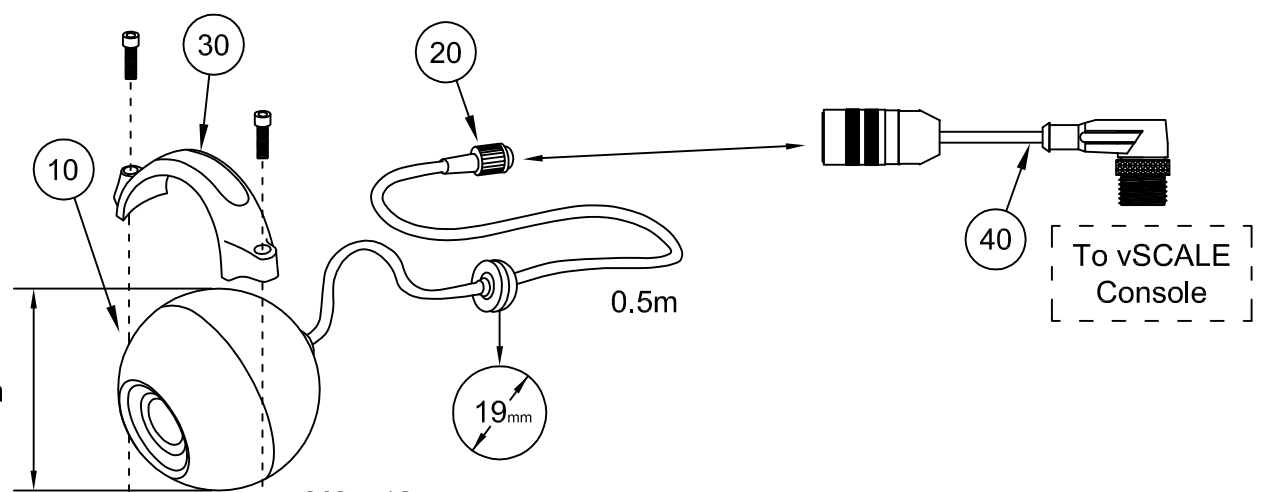
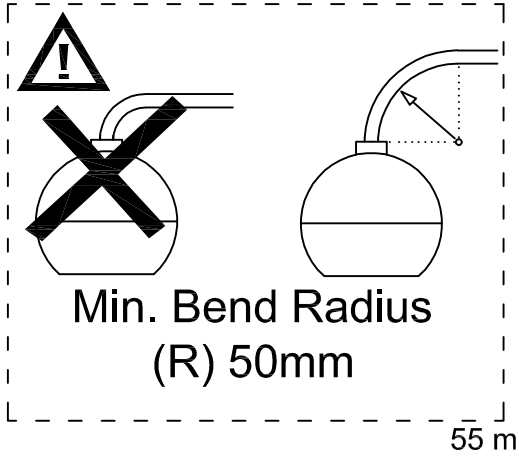
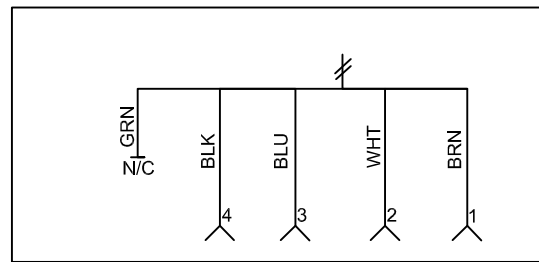


REV	ECN	DESCRIPTION	BY	APV	DATE
A	16-048	INITIAL RELEASE	CB	AJC	05-06-16
B	17-166	ADDED BOM - REDREW IMAGES	RBM	JM	08-10-17
C	18-106	ADDED MAGNETIC MOUNT INSTRUCTIONS	RBM	JM	06-18-18



WIRING DETAILS



ITEM	PART NUMBER	QTY	DESCRIPTION
10	051221	1.0	CAMERA, ORLACO, FAMOS PAL/NTSC ARTICLE# 0171140
20	051222	1.0	CAMERA ACCY, ORLACO, POWER CABLE EXT, 11M, ARTICLE#301900
30	051223	1.0	CAMERA ACCY, ORLACO, MAGNETIC MOUNT ARTICLE# 403400
40	061142	1.0	CABLE ASSY, CAMERA CABLE, ORLACO,5PIN M12(B) M - 4PIN F

*vSCALE NOT INCLUDED IN THIS KIT

Hirschmann Automation and Control (HAC)
1540 ORCHARD DRIVE
CHAMBERSBURG, PA 17201

TITLE KIT, CAMERA, ORLACO, W/ MAGNETIC MOUNT AND PWR CABLE

GENERAL TOLERANCES ECN: 16-07B 102061

IN. DIM.	DEC. PLACES	MM DIM.	DRAWN	CB	05-06-16
±0.1"	1 PLACE DEC.	±2.5mm	APPROVED	AJC	05-06-16
±0.01"	2 PLACE DEC.	±0.25mm	SCALE:	NONE	SHEET: 1 OF 1
±0.005"	3 PLACE DEC.	±0.13mm	DWG NO.		
1/16"	FRACTION	±1.5mm			

102061_08

HAC reserves proprietary rights to this drawings and to the data shown thereon. The drawing and data are confidential and are not to be used or reproduced without the written consent of HAC. This drawing is subject to technical modification without notice.

C.A.G.E. 79760