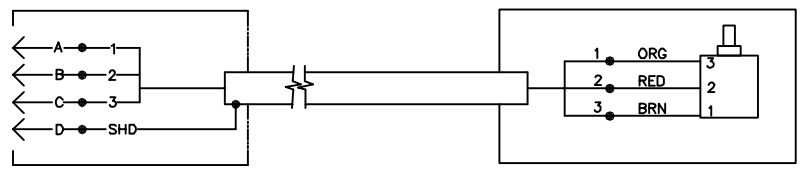
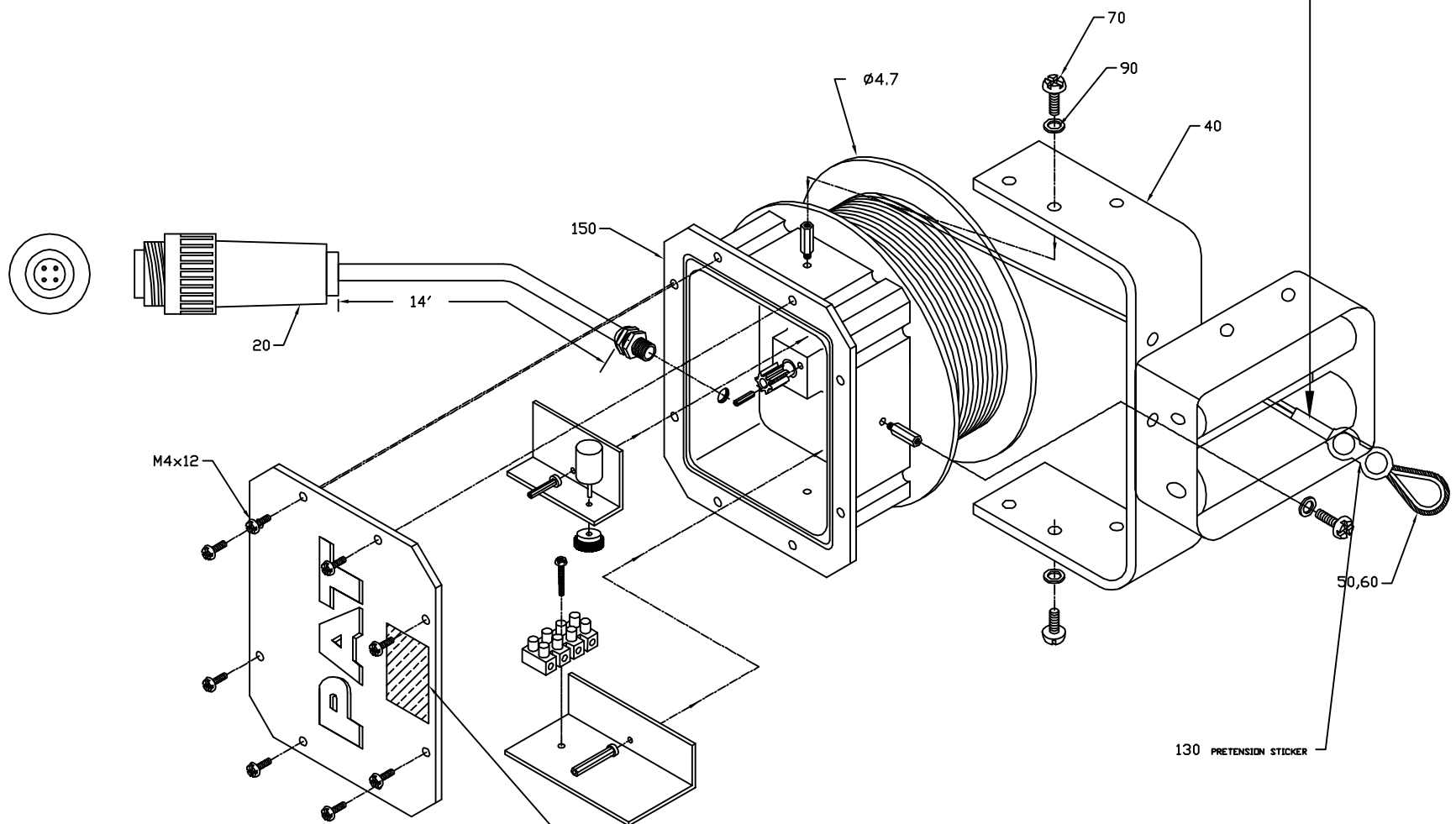



REV	ECN	DESCRIPTION	BY	APV	DATE
E	16-169	UPDATED NOTES	AJC	JK	11-09-16



NOTE: REMOVE 24' OF LENGTH CABLE BEFORE INSTALLING THIMBLE (5) AND CLAMP (6) !



REFER TO INSTRUCTIONS
530150

 Hirschmann ECS Division, PAT AMERICA, Inc. 1540 ORCHARD DRIVE CHAMBERSBURG, PA 17201	TITLE CABLE REEL ASSEMBLY, LG105 14' W/ 4-PIN PLUG & 35' LENGTH CABLE		ECN: 060826	
	GENERAL TOLERANCES		DRAWN SC	DATE 04/28/08
<small>PAT America, Inc. reserves proprietary rights to this drawings and to the data shown thereon. The draeing and data are confidential and are not to be used or reproduced without the written consent of PAT America, Inc. This drawing is subject to technical modification with out notice.</small> C.A.G.E. 79760	<small>±0.1"</small> 1 PLACE DEC. ±2.5mm	<small>APPROVED</small> SD	DATE 04/29/08	
	<small>±0.01"</small> 2 PLACE DEC. ±0.25mm	<small>SCALE:</small>	SHEET: 1 OF 1	
	<small>±0.005"</small> 3 PLACE DEC. ±0.13mm 1/16" FRACTION ±1.5mm	DWG NO.	060826_E06	