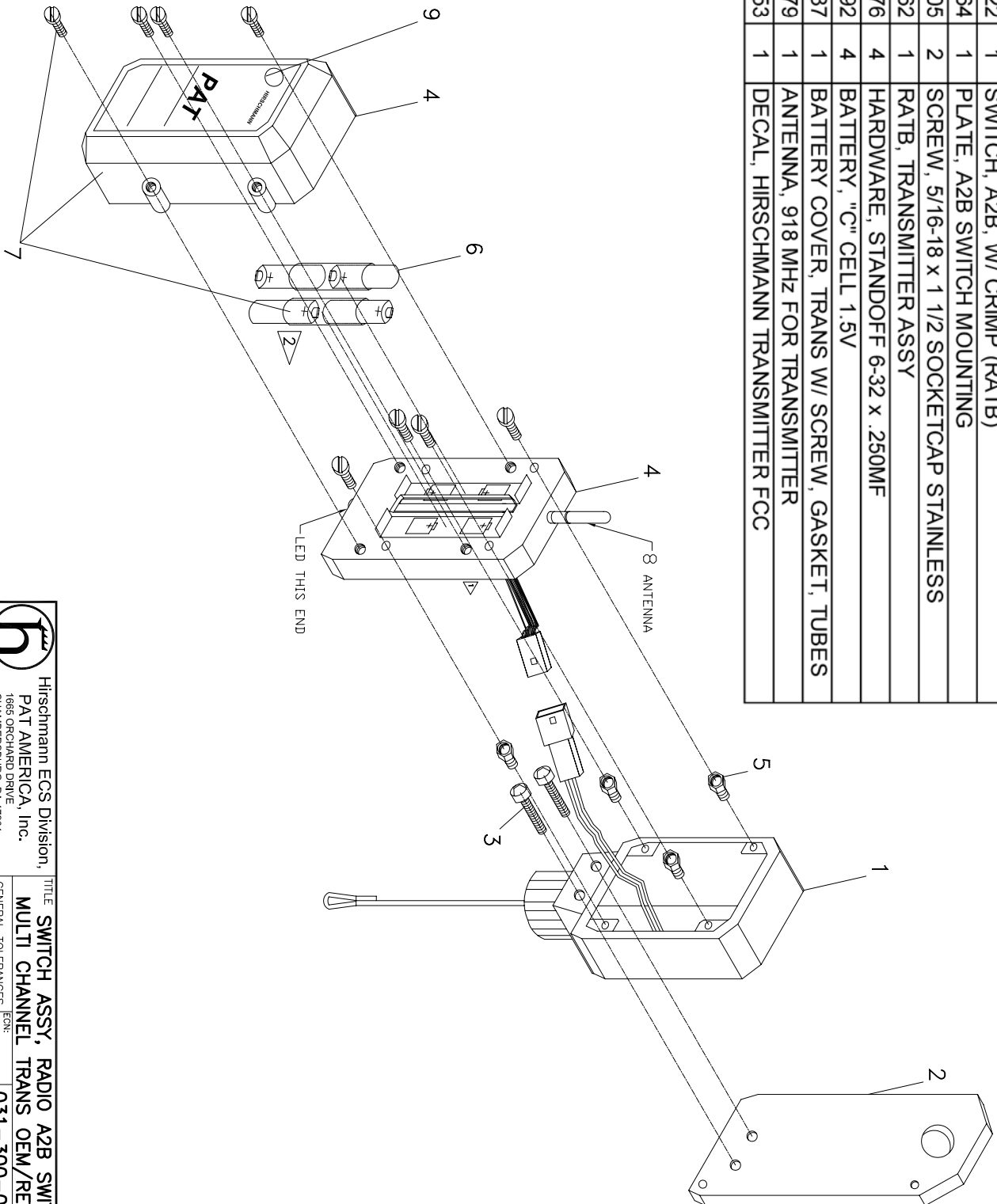



ITEM	PART NUMBER	QTY	DESCRIPTION
1	031-002-060-022	1	SWITCH, A2B, W/ CRIMP (RATB)
2	031-300-050-264	1	PLATE, A2B SWITCH MOUNTING
3	031-300-100-105	2	SCREW, 5/16-18 x 1 1/2 SOCKETCAP STAINLESS
4	031-300-050-262	1	RATB, TRANSMITTER ASSY
5	031-300-050-276	4	HARDWARE, STANDOFF 6-32 x .250MF
6	031-300-050-292	4	BATTERY, "C" CELL 1.5V
7	031-300-050-537	1	BATTERY COVER, TRANS W/ SCREW, GASKET, TUBES
8	031-300-050-579	1	ANTENNA, 918 MHZ FOR TRANSMITTER
9	031-300-050-653	1	DECAL, HIRSCHMANN TRANSMITTER FCC



 Hirschmann ECSS Division, PAT AMERICA, Inc. 1085 ORCHARD DRIVE CHAMBERSBURG, PA 17201		TITLE SWITCH ASSY, RADIO A2B SWITCH, MULTI CHANNEL TRANS OEM/RETROFIT	
GENERAL TOLERANCES IN. DIM. DEC. PLACES AM. DIM. ±0.1" 1 PLACE DEC. ±0.25mm ±0.005" 3 PLACE DEC. ±0.13mm 1/16" FRACTION ±0.15mm		EON: DRAWN: 4/22/05 SB: 031-300-060-484 NONE: APPROVED: SCALE: NONE: SHEET: 1 OF 1 DWG. NO: 031 300 02 484 REV: -	
PAT America, Inc. reserves proprietary rights to this drawings and to the data shown thereon. The drawing and data are confidential and are not to be disclosed or used in any way without the written consent of PAT America, Inc. This drawing is subject to technical modification without notice.			
C.A.G.E. 79760			