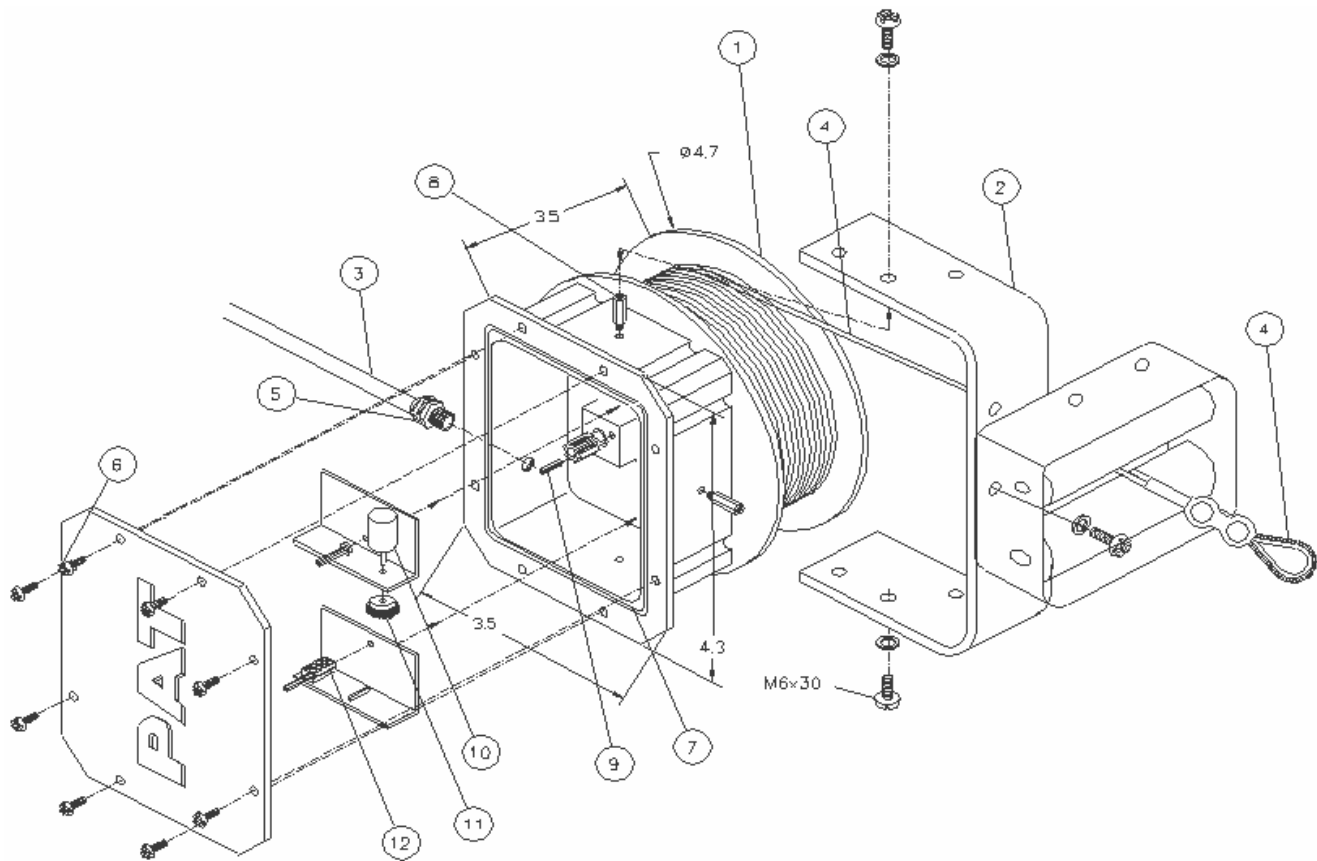


15.4 CABLE REEL ASSEMBLY

PART NO. 031-300-060-438



NO.	PART NO.	QTY	DESCRIPTION
1	npn	1	HARDWARE, DRUM (FACTORY SERVICEABLE)
2	031-300-050-131	1	BRACKET, LG105 WITH CABLE GUIDE
3	031-300-060-374	1	CABLE ASSY, 15' (3 COND. WITH 4 PIN PLUG)
4	031-300-060-685	1	CABLE ASSY, LENGTH (50') w/ RING TERMINAL & CLAMP
5	031-300-060-409	1	STRAIN RELIEF, PG9 4-6mm YELLOW/WHITE
6	031-300-060-682	1	HARDWARE, LG105 COVER SCREW SET, M4x12
7	209-032-010-501	1	GASKET, O-RING FOR LG105 COVER
8	031-300-060-683	4	HARDWARE, LG105 EXTERNAL SET
9	031-300-060-684	1	HARDWARE, LG105 INTERNAL SET
10	031-300-060-578	1	LENGTH POT ASSY, LG105/0006
11	067-105-110-001	1	GEAR WHEEL, LG105/2, WORM WHEEL COMPLETE W/FIXING MATERIAL
12	031-300-100-462	1	TERMINAL STRIP, 4 POS.