

Spare Parts List

DWG NO. 031 300 06 0401 REVISION B

PAGE 1 OF 2

PART NO. 031-300-060-401

PAT CABLE REEL ASSY, LWG308

NO.	PART NO.	QTY	DESCRIPTION
01	068-000-300-060	1	BOARD, TERMINAL W/ EMC FILTERS
02	064-143-060-005	1	ANGLE SENSOR WG103/0007
03	068-000-300-018	1	LENGTH POTENTIOMETER UNIT
04	002-050-206-012	2	SCREW, M6 X 12 HEX SOCKET CAP
05	000-207-010-064	2	WASHER M6 FLAT
06	068-000-100-152	1	HOUSING KT200
07	000-214-340-013	1	PG13.5 HOLE PLUG
08	000-673-020-002	139'	CABLE, LENGTH SINGLE CORE
09	031-300-050-255	1	STRAIN RELIEF, PG11 GREEN
10	031-300-100-206	1	CHEMICAL, CORROSION INHIBITOR
11	068-000-100-064	1	SLIP RING ASSEMBLY 2 POLE
12	031-300-060-414	1	CABLE ASSY, 7 COND 17' W/ 7-PIN PLUG
13	068-000-110-038	1	GEAR, 75 TOOTH FOR LWG208
14	006-800-005-001	1	GEAR, 25 TOOTH FOR LWG208
15	092-000-060-202	1	CABLE, MODULAR LENGTH & ANGLE, SENSOR
16	000-214-261-311	1	STRAIN RELIEF ACCY, PG13.5-11 REDUCER

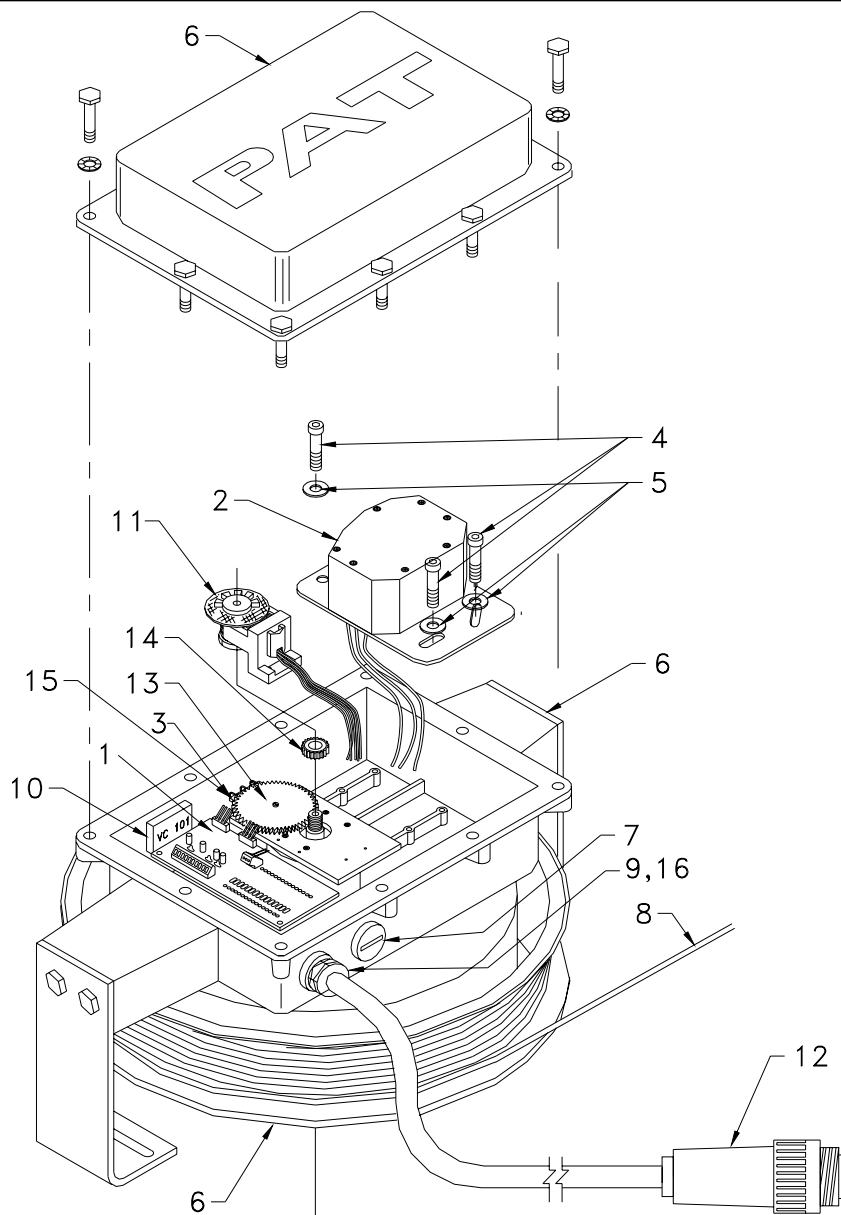
Spare Parts List

DWG NO. 031 300 06 0401 REVISION B

PAGE 2 OF 2

PART NO. 031-300-060-401

PAT CABLE REEL ASSY, LWG308



Hirschmann reserves proprietary rights to this drawing and to the data shown there on. The drawing and data are confidential and are not to be used or reproduced without the written consent of Hirschmann. This drawing is subject to technical modification without prior notice.