

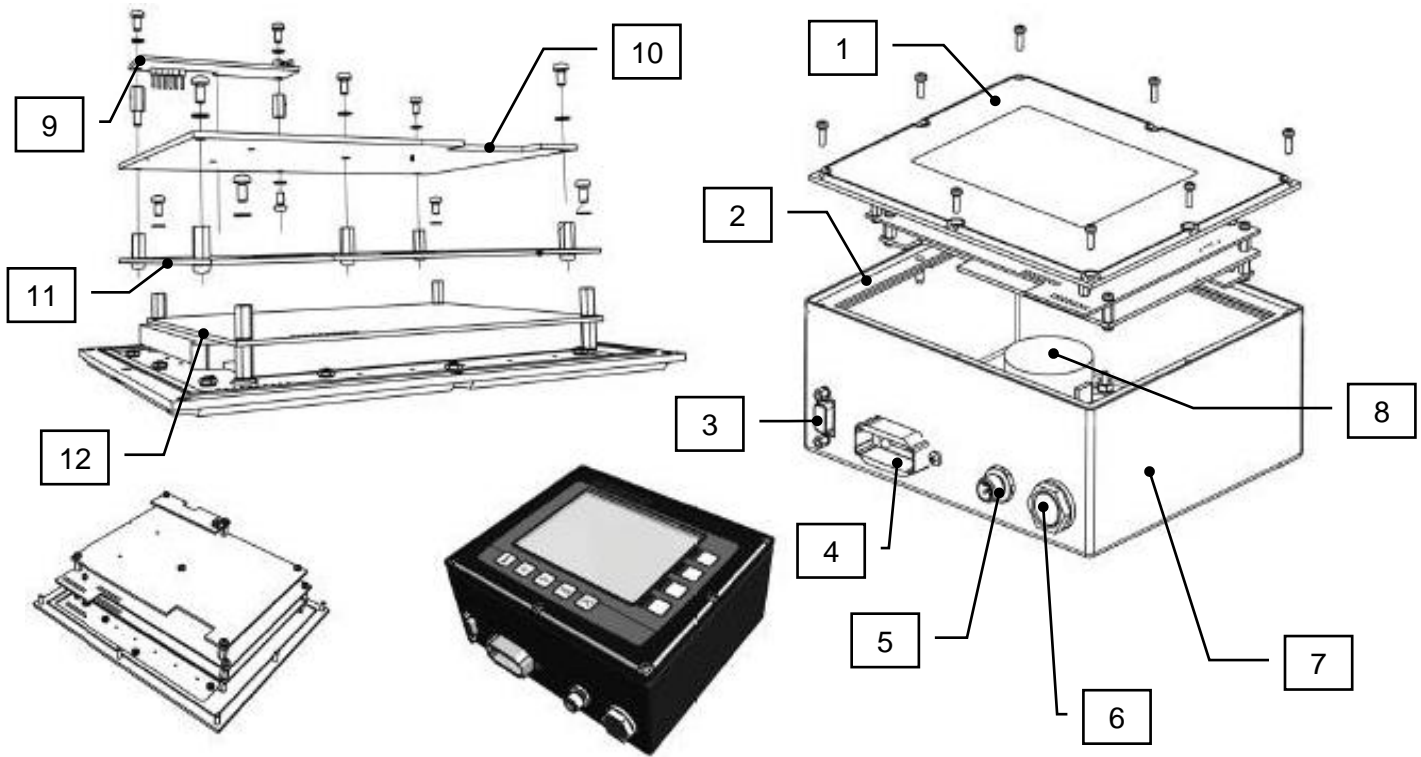
Replacement Parts List

024-183-061-201 Console, Mentor QVGA, Manitowoc Logo



HIRSCHMANN

A **BELDEN** BRAND



#	Part #	SAP #	Qty	Description
1	024-183-100-017	535220	1	Front Panel, Mentor QGVA w/Display / Keyboard Manitowoc Logo
1.1*	024-183-101-201	535219	1	Front Panel, Mentor QGVA / Manitowoc Logo
2	024-183-050-007	534590	1	Seal, Housing
3	024-183-290-001	534129	1	Connector, D-Sub, 9-Pin
3.1*	000-301-111-042	324626	1	Cap, Protection, D-Sub 9Pin
4	024-183-300-020	535234	1	Connector, Deutsch, DTM 15-12PA
5	092-000-060-391	530144	1	Connector, Brad, 5 socket, Receptacle
6	024-000-100-095	524167	1	Pressure Element
7	024-183-100-016	535231	1	Housing, Mentor QGVA
8	024-183-290-002	534170	1	Piezo, Transmitter Alarm
8.1	000-202-100-003	325577	1	Element, Compensation Self Adhesive
9	024-183-300-005	534199	1	Board, Event Recorder
10¥	024-183-300-004	535243	1	Board, Main QGVA
11	024-183-301-001	534617	1	Board, Adapter QGVA
12	050-000-100-298	534603	1	Console, LCD, Display
13*	031-300-050-223	306503	1	Fuse, 2A
14*	024-050-300-117	532477	1	Battery, Module Recorder

* Item not illustration; ¥ Exchanged only by an authorized Hirschmann Representative



Hirschmann Automation and Control, Inc.
1540 Orchard Drive
Chambersburg, PA 17201

Service : (717) 217-2250
Parts / Sales : (717) 217-2269
www.hirschmann-usa.com

Document Reference: 024-183-061-201_02

Page 1 of 1

Hirschmann reserves proprietary rights to this document and to the data shown there on. The drawing and data are confidential and are not to be used or reproduced without the written consent of Hirschmann. This drawing is subject to technical modification without prior notice.