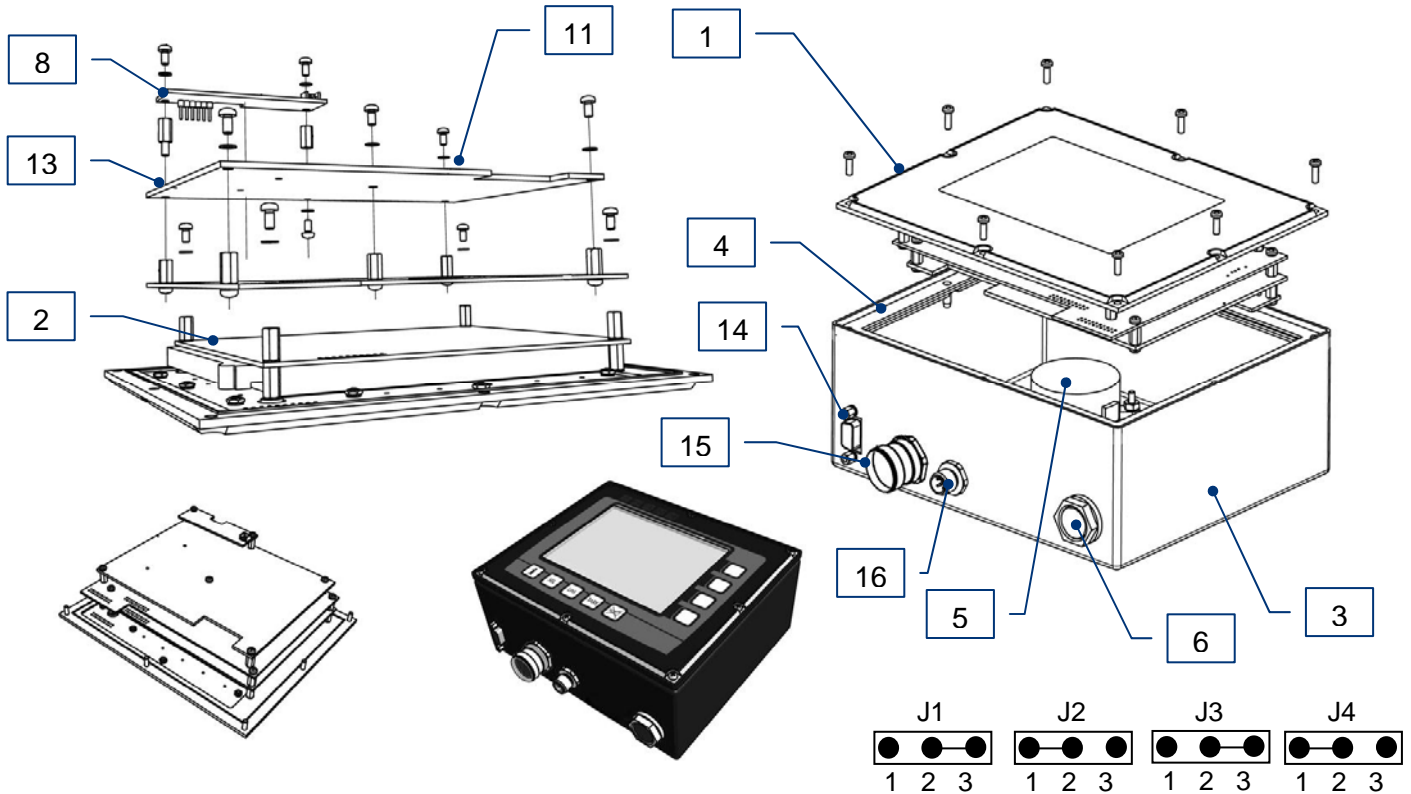


Replacement Parts List

024-183-061-002 (608174) Console, iVISOR Mentor QVGA



A BELDEN BRAND



#	Part #	SAP #	Qty	Description
1	024-183-100-010	534626	1	FRNT PNL, MENTOR QVGA w/DISPLAY/KEYPAD
1.1	024-183-100-201	534586	1	FRNT PNL, 1001 SQ183 HIRSCHMANN w/KEYPAD
2	050-000-100-298	534603	1	LCD, UNIT
3	024-183-100-009	534589	1	HOUSING, 0009 MENTOR QVGA
4	024-183-050-007	534590	1	FLAT SEAL
5	024-183-290-002	534170	1	PIEZO-TRANSMITTER CPT 45A
6	024-000-100-095	524167	1	PRESSURE COMP. ELEMENT 0095 cpl.
7*	000-200-100-003	325577	1	PRESSURE COMP. ELEMENT SELF ADHESIVE
8	024-183-300-005	534199	1	REAL TIME CLOCK SQ183 EVENT RECORDER
9*	024-050-300-117	532477	1	BATTERY MODULE EVENT RECORDER
10*	000-301-111-042	324626	1	PROTECTION CAP D-SUB CONN. 9P
11‡	024-183-300-004	535243	1	MAIN BOARD 0004 MENTOR QVGA
12*	031-300-050-223	306503	1	ATO MINI FUSE 2A (SAE J 2077)
13	024-183-301-001	534617	1	ADAPTER BOARD 1001 MENTOR QVGA
14	024-183-290-001	534129	1	CONNECTOR, D-SUB, 9 PIN
15	024-183-260-010	534130	1	CONNECTOR w/WIRING, M23/19, MENTOR CONSOLE
16	092-000-060-391	530144	1	CONNECTOR, B. HARRISON 5 SKT RECEPT. DS85/2

* Not Shown; ‡ Exchanged only by an authorized Hirschmann Representative



Hirschmann Automation and Control, Inc.
1540 Orchard Drive
Chambersburg, PA 17201

Service : (717) 217-2250
Parts / Sales : (717) 217-2269
www.hirschmann-usa.com

Document Reference: 024-183-061-002_02

Page 1 of 1

Hirschmann reserves proprietary rights to this document and to the data shown there on. The drawing and data are confidential and are not to be used or reproduced without the written consent of Hirschmann. This drawing is subject to technical modification without prior notice.