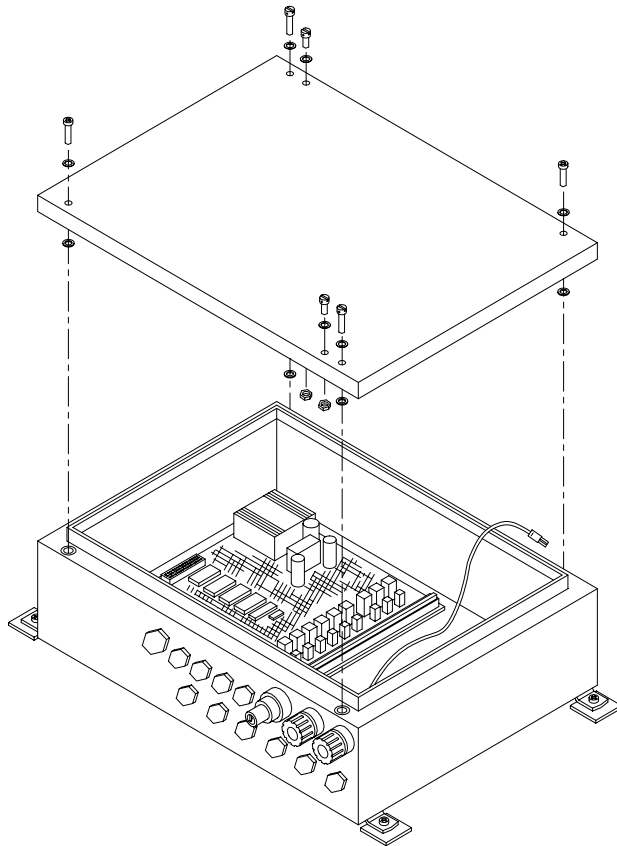
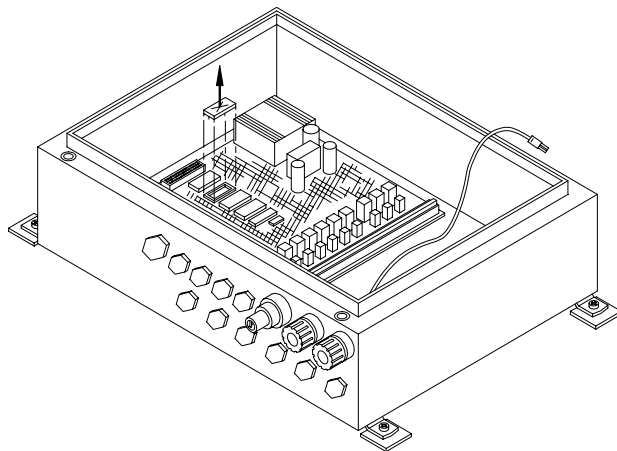


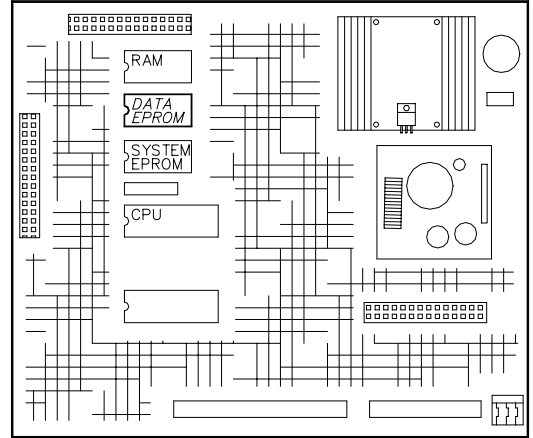
## Eprom replacement in Central Unit



1. Remove cover, from central unit.

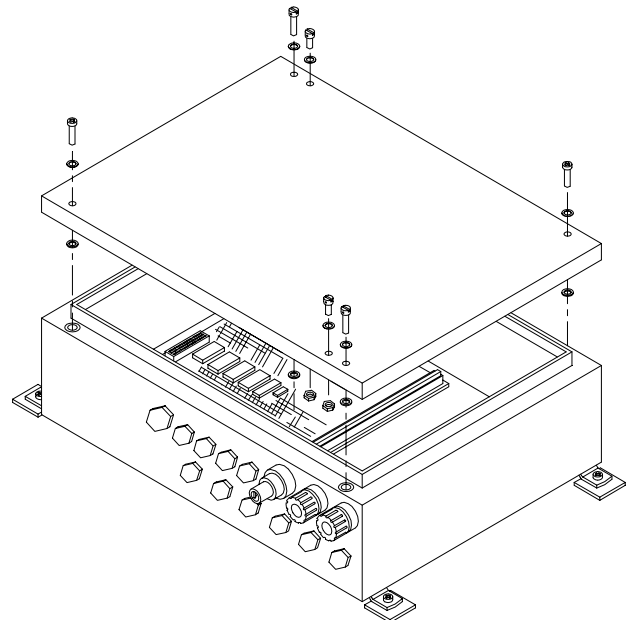


2. **CAUTION:** Discharge any static electricity, from your body, before handling the EPROM. The EPROM could be damaged, if this procedure, is not followed. Remove the old DATA EPROM, from the main board. Be careful to pull the EPROM out, without bending the legs. Refer to drawing above.



3. Carefully align the new EPROM, with the socket and push the EPROM, into the socket. Be careful not to bend any of the legs. Refer to drawing.

**NOTE:** The correct orientation, of the EPROM, is determined, by the notch, on the end, of the EPROM. The new EPROM should be placed, in the direction, of the other chips, on the board.



4. Reinstall cover and tighten screws, making sure the rubber gasket, is positioned correctly, to prevent any moisture, from entering the central unit.