



HIRSCHMANN

050-350-061-351

**CONSOLE, DS350 ON-DASH
GRAPHIC REPLACEMENT**

FOR: 050-350-061-063
050-350-061-166
050-350-061-173
050-350-061-219
050-350-061-318

050-350-061-354

**CONSOLE, DS350 ON-DASH
GRAPHIC REPLACEMENT**

FOR: 050-350-061-062
050-350-061-158
050-350-061-328
050-350-061-361

050-350-061-355

**CONSOLE, DS350 IN-DASH
GRAPHIC REPLACEMENT**

FOR: 050-350-061-189
050-350-061-319

PAT

CONSOLE REPLACEMENT INSTRUCTIONS

Document Part Number 031-300-530-032



NOTICE

The information in this document is subject to change without notice.

Hirschmann ECS makes no warranty of any kind with regard to this material, including, but not limited to the implied warranties of merchantability and fitness for a particular purpose.

Hirschmann ECS shall not be liable for errors contained in this manual or for incidental or consequential damages in connection with the furnishing, performance, or use of this manual. This document contains proprietary information that is protected by copyright.

All rights are reserved.

No part of this document may be photocopied, reproduced, or translated to another language without the prior written consent of Hirschmann ECS.

TABLE OF CONTENTS

CONSOLE INSTALLATION	2
050-350-061-351 / 050-350-061-354 Console Installation overview	2
050-350-061-189 / 050-350-061-355 Console Installation overview	3
CENTRAL UNIT, DS350GM (24 350 06 300x)	4
System Software Installation Overview.....	4
Procedure 1. Eprom Replacement	4
Procedure 2. Strain Relief Installation	5
Procedure 3. Console cable installation in central unit	6
CENTRAL UNIT, DS350G (24 350 06 0700, 0701, 0721, 2766)	7
System Software Replacement for DS350G	7
Serial Interface Installation	8
Central Unit Preparation.....	9
Central Cable Assembly Installation	9
Grounding of Inner Shield	9
DS350G Central Unit Wiring (24 350 06 2766).....	10
DS350G Central Unit Wiring (24 350 06 0701, 0721).....	11
DS350G Central Unit Wiring (24 350 06 0700).....	12
CENTRAL UNIT, DS350G (24 350 06 2767)	13
Serial Interface Installation.....	13
Central Unit Preparation.....	14
Cable assembly installation.....	14
Grounding of Inner Shield.....	14
DS350G Central Unit Wiring.....	15
CENTRAL UNIT, DS350GM (24 350 06 3015)	16
Procedure 1. Strain Relief Installation.....	16
Procedure 2. Console cable installation in central unit.....	17

REQUIRED TOOL LIST

- 1 - #1 PHILLIPS HEAD SCREWDRIVERS
- 1 - ¼" SLOTTED HEAD SCREWDRIVERS
- 1 - ADJUSTABLE WRENCH
- 1 - WIRE CUTTERS
- 1 - VICE GRIP PLIERS
- 1 - ROLL INSULATION TAPE
- 1 - NEEDLE NOSE PLIERS
- 1 - WIRE CRIMPING PLIERS
- 1 - UTILITY KNIFE
- 1 - EPROM PULLER

050-350-061-351 / 050-350-061-354 CONSOLE INSTALLATION OVERVIEW

1. Remove existing console at the adjustment knobs. (Fig. 1)
2. Install new console on the dash using the existing mounting bracket.
3. Connect and fix the connector on console cable assy 031-300-060-598 to the console. (Fig. 2)
4. Route console cable assy to the central unit following the same path as the existing console cable assy.
5. Refer to appropriate Central Unit section for further installation instructions.
6. Cable Assembly 031-300-060-520 will be required for installation of the lightbar option currently installed on the DS350GW horizontal and vertical consoles.

050-350-061-351 / 050-350-061-354



Fig. 1

Adjustment knobs

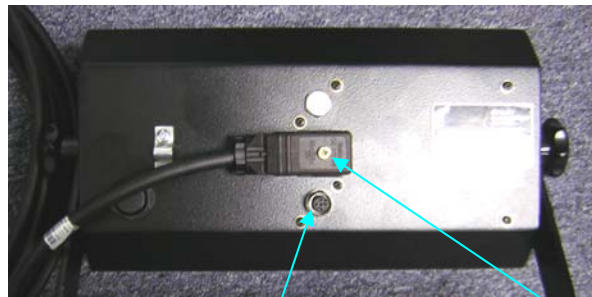
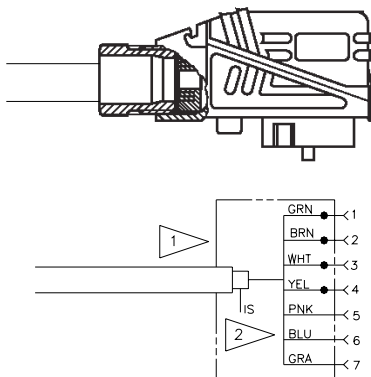


Fig. 2

Lightbar connection

Secure with screw



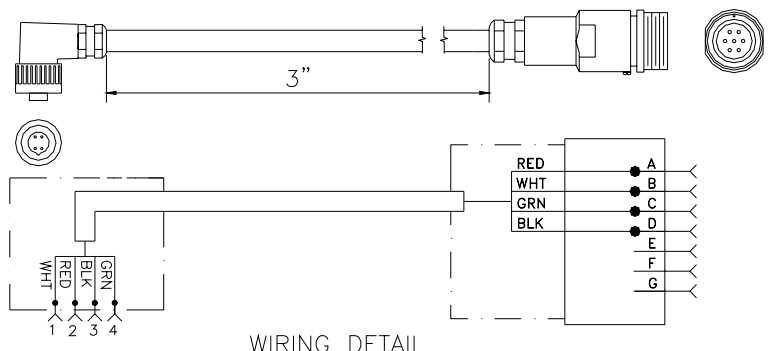
WIRING DETAIL

WIRE COLOR CHART

- BLU (BLUE)
- BRN (BROWN)
- GRA (GRAY)
- GRN (GREEN)
- PNK (PINK)
- WHT (WHITE)
- YEL (YELLOW)

NOTE:

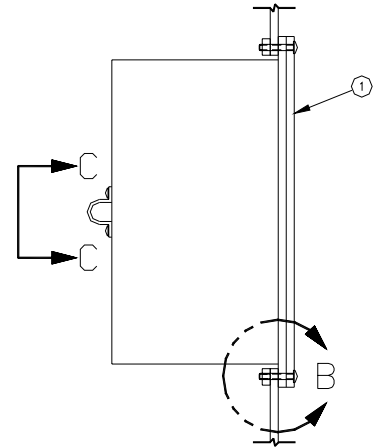
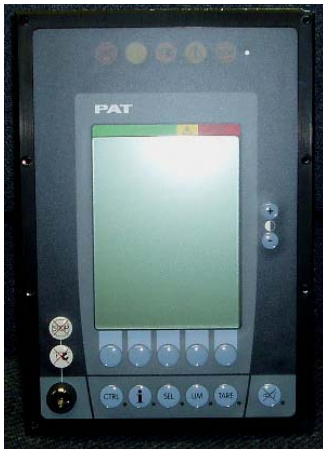
Cable Assembly **031-300-060-520** will be required for installation of the lightbar option currently installed on the DS350GW horizontal and vertical consoles.



WIRING DETAIL

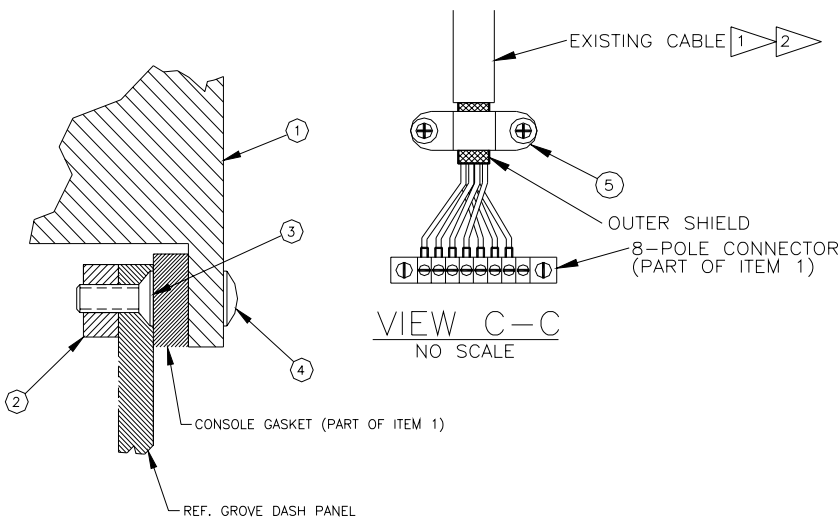
050-350-061-189 / 050-350-061-355 CONSOLE INSTALLATION OVERVIEW

1. Remove existing console, console wiring, and housing. Note: The existing wiring will be used to wire the new console.
2. Install (2) console nut strips item 2 using (4) screws item 3 through the existing countersunk holes in dash per Detail "B".
3. Install new console with housing in tact. Secure to nut strips item 2 with (8) screws item 4 per Detail "B".
4. secure existing cable with clamp (part of console) per View C-C. Be sure the cable's outer shield is in contact with the clamp.
5. wire the 8-pole connector on the rear of the console per the wiring diagram. Ref. View C-C.

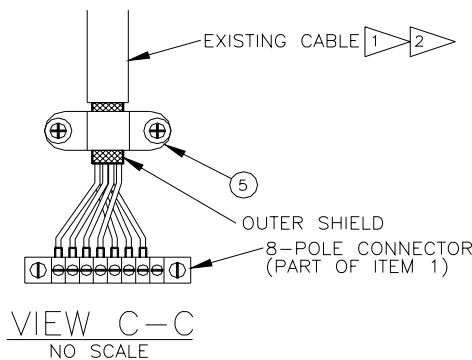


VIEW A-A
TOP VIEW, NO SCALE
CABLE, AND CONNECTOR NOT
SHOWN FOR CLARITY

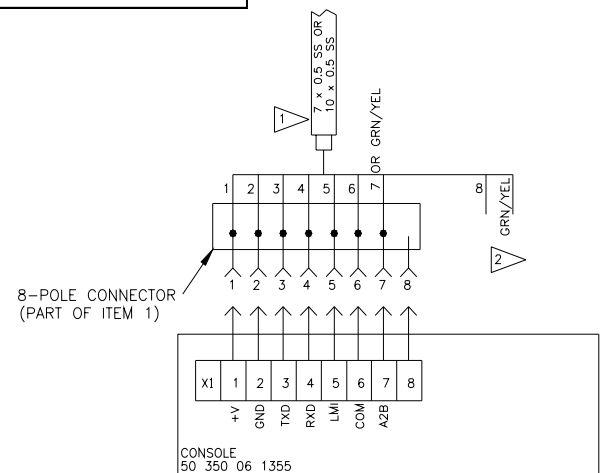
ITEM	PART NUMBER	QTY	DESCRIPTION
1	050-350-061-355	1	CONSOLE, DS350 IN-DASH GRAPHICREPLACEMENT FOR DS350/1319
2	031-300-050-746	2	MOUNTING PLATE, CONSOLE NUTSTRIP
3	031-300-050-515	4	SCREW, #6-32 X 1/2, FH, PH
4	031-300-050-547	8	SCREW, #6-32 X 3/4 ALLEN HEADBLACK MACHINE SCREW
5	024-350-300-147	1	BOARD, SERIAL INTERFACE DS350/0147/VAR.
6	031-300-060-610	1	CABLE ASSY, 4 COND LT



DETAIL 'B'
TOP VIEW, NO SCALE



VIEW C-C
NO SCALE



WIRING DETAIL

WIRING NOTES:

- 1 OUTER SHIELD GROUNDED TO CONSOLE HOUSING
SEE VIEW "C-C".
- 2 SOME WIRES MAY BE CONNECTED TO POWER
IN THE CENTRAL UNIT. TAPE AND STOW WIRES
NOT CONNECTED.

CENTRAL UNIT, DS350GM (24 350 06 300x)

System Software Installation Overview

1. Remove C.U. lid.
2. Remove system software and replace with (GGMT V2.0) system software eprom. (Fig.4)
(For further eprom replacement instructions see Procedure1 below.)

PROCEDURE 1. EPROM REPLACEMENT

Remove cover, from central unit.

CAUTION: Before handling the EPROM, discharge any static electricity from your body by touching a grounded point. The EPROM could be damaged by static electricity.

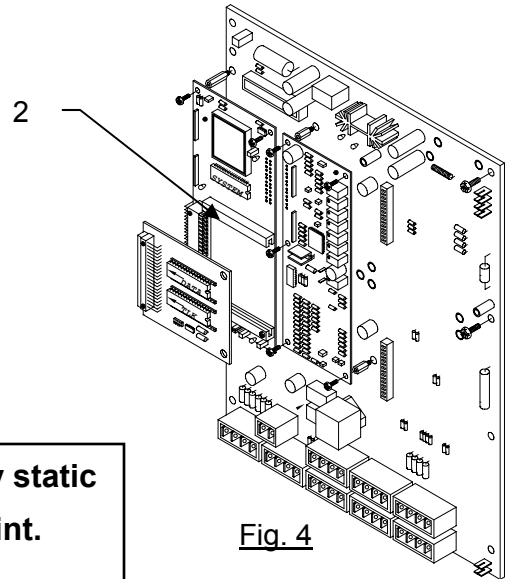


Fig. 4

1. Refer to the drawing below for correct eprom locations. (Fig.4a)
2. Remove the old system eprom, from the main board. Be careful to pull the eprom out without bending the legs.

NOTE: Ensure the notch is in the correct direction. Notch on eprom must match the notch on the socket and markings on the board.

3. Place new eprom in the correct eprom socket as shown. Carefully align the new eprom legs with the socket and push the eprom into place. Be careful not to bend any of the legs.

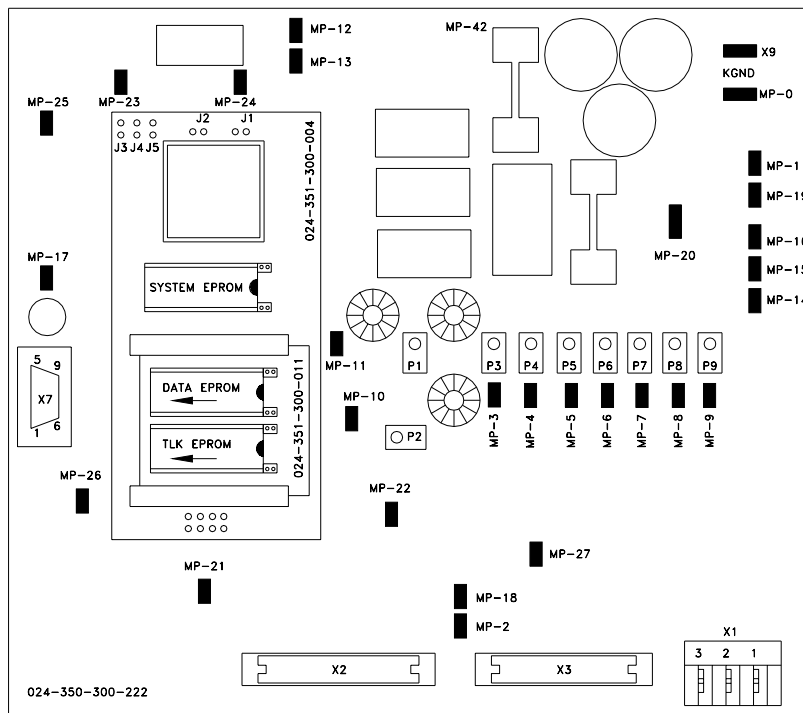


Fig. 4a

PROCEDURE 2. STRAIN RELIEF INSTALLATION

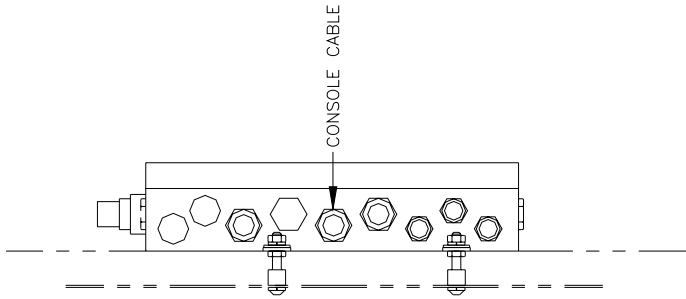
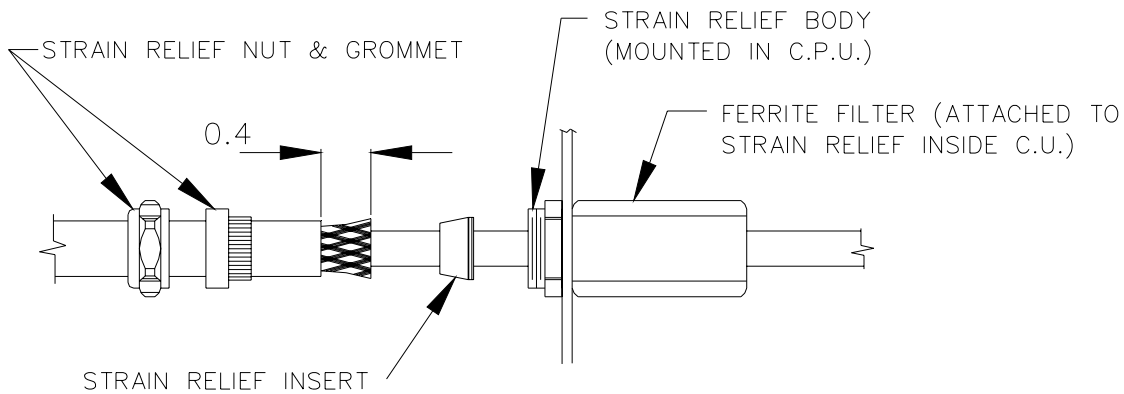


Fig. 5

1. Remove existing cable, ferrite filter and strain relief from central unit. (Fig. 5)
2. Install the new PG13.5 RED/WHT strain relief using the existing PG13.5 nut, from the strain relief just removed.
3. Reinstall ferrite filter. (Fig. 5a).



Note: Outer shield is grounded at strain relief insert.

Fig. 5a

PROCEDURE 3. CONSOLE CABLE INSTALLATION IN CENTRAL UNIT

1. Ensure console is properly installed in cab.
2. Route console cable assembly (031-300-060-598) to the central unit following the same path as the existing console cable assembly. Cut the console cable to the appropriate length.
3. Wire the console cable assembly in central unit referencing the diagram. (Fig. 6)
4. Install the C.U. lid. Reinstall and any grounding wires removed, then install the cover and tighten screws, making sure the rubber gasket, is positioned correctly, to prevent any moisture from entering the central unit.

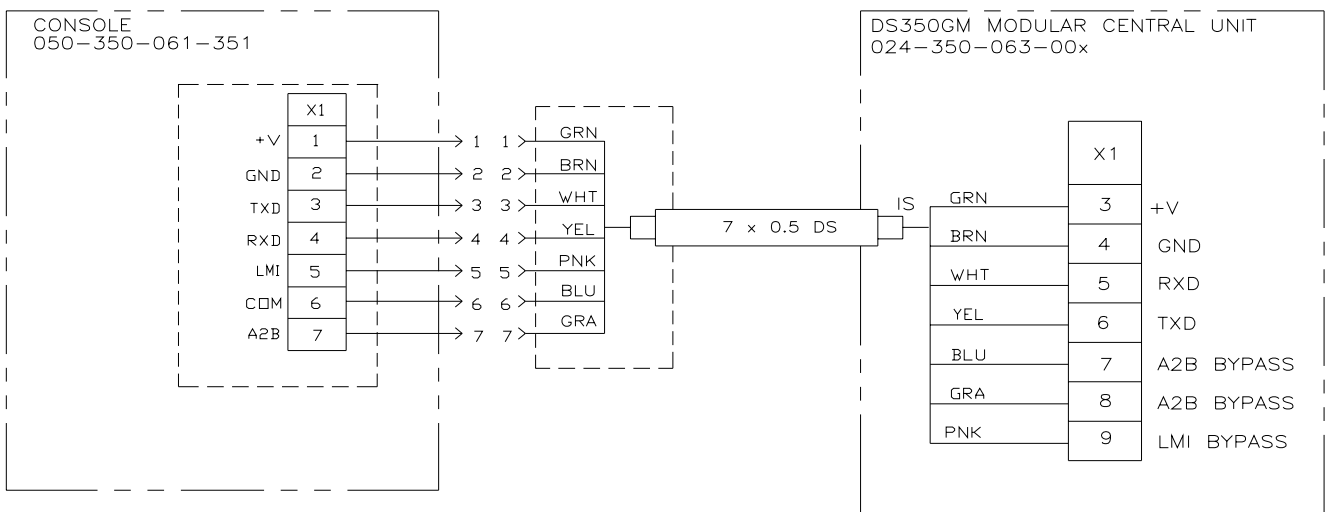


Fig. 6

CENTRAL UNIT, DS350G (24 350 06 0700, 24 350 06 0701, 24 350 06 0721, 24 350 06 2766)

SYSTEM SOFTWARE REPLACEMENT FOR DS350G

1. Remove cover, from central unit.

CAUTION: Before handling the EPROM, discharge any static electricity from your body by touching a grounded point. The EPROM could be damaged by static electricity.

2. Remove the existing system and CPU eproms from the main board. (Fig. 7) Be careful to pull the EPROM out, without bending the legs.
3. Install eprom module 024-350-300-172 into the CPU and system software sockets. (Fig. 7a) Replace the CPU and new system software (MGWT) eprom into the eprom module.

NOTE: The notch on the EPROM and in the socket determines the correct orientation of the EPROM. Refer to the drawing below for correct EPROM locations.

4. Carefully align the new EPROM legs with the socket and push the EPROM into place. Be careful not to bend any of the legs.

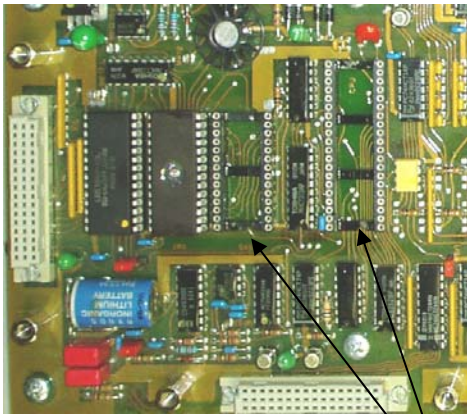


Fig. 7



Fig. 7a

2

3,4

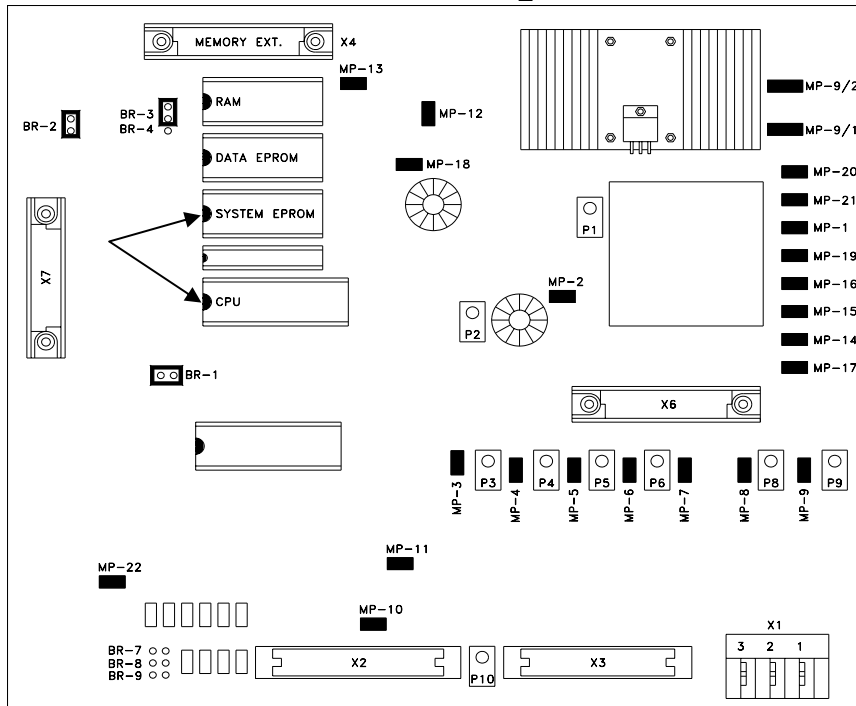


Fig. 7b

Serial Interface installation

1. Locate position of installation. (Fig. 8)
2. Remove two screws and lock washers from the main board. (Fig. 9)
3. Install two 4mm x 20mm standoffs where the screws were removed. (Fig. 10)
4. Attach mounting rail 031-300-050-721 on top of the standoffs using the screws and lock washers removed from the main board. (Fig. 11)
5. Install (snap) serial interface board 024-350-300-147 on the mounting rail. (Fig. 11)

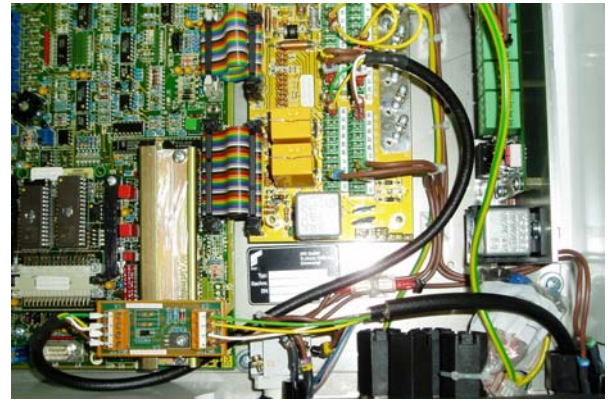


Fig. 8



Fig. 9



Fig. 10

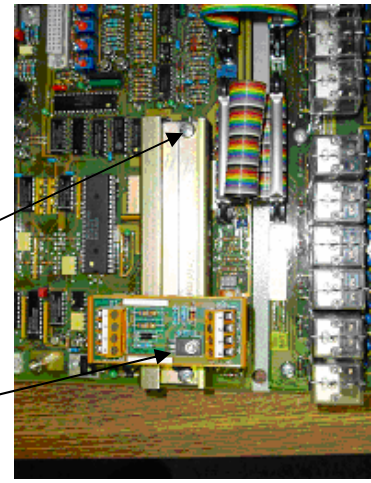


Fig. 11

6. Wire cable assy 031-300-060-610 (crimp ferrule end) to terminal X1 on the serial interface board per the electrical schematic. (Fig. 12 and 15, 15a)
7. Wire the other end of the cable (1/8" female terminal end) to the connection board per the electrical schematic. (Fig. 12 and 15, 15a, 15b)

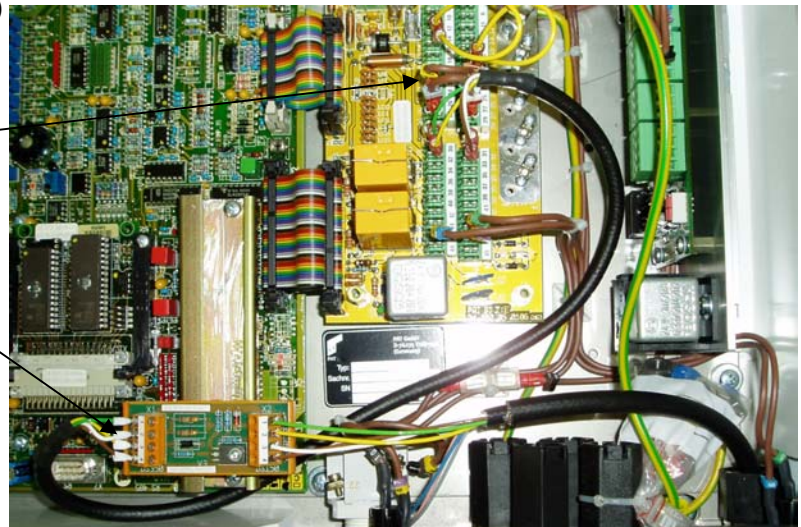
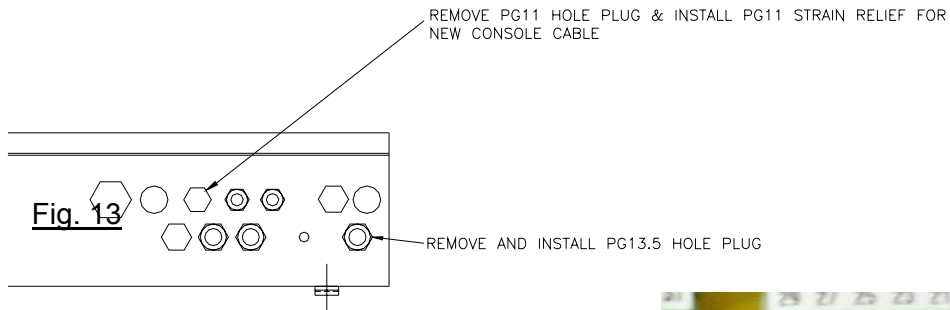


Fig. 12

Central Unit Preparation (Not required when replacing the 050-350-061-189 console). Do not remove existing cable between console and central unit for installation of the 050-350-061-355 console.

1. Remove existing console cable and strain relief from the central unit and install PG13.5 hole plug using the existing nut. Remove existing PG11 hole plug. Install new PG11 strain relief using the existing nut. (Fig. 13)



Cable Assembly Installation (24 350 06 2766 only)

1. Attach inner shield to grounding clamp on the connection board per diagram. (Fig. 14 and 14a)
2. Install 1/8" and 1/4" female terminals on wire ends and attach to connection board and diode assy per electrical schematic. (Fig. 15)
3. Reinstall central unit lid and any grounding wires that were removed.

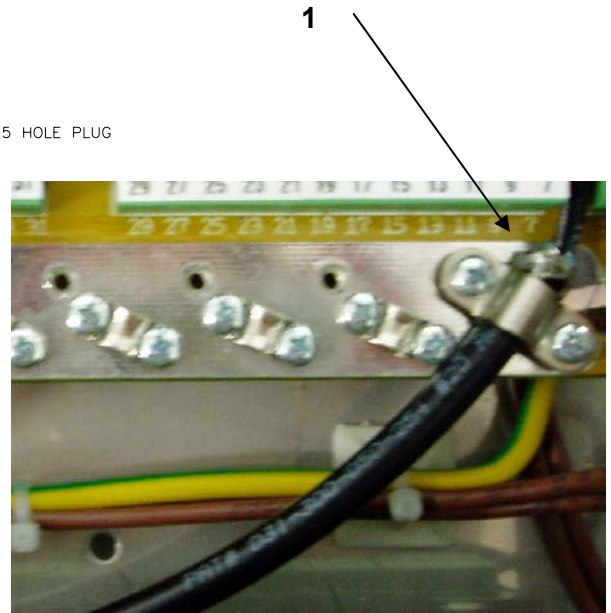
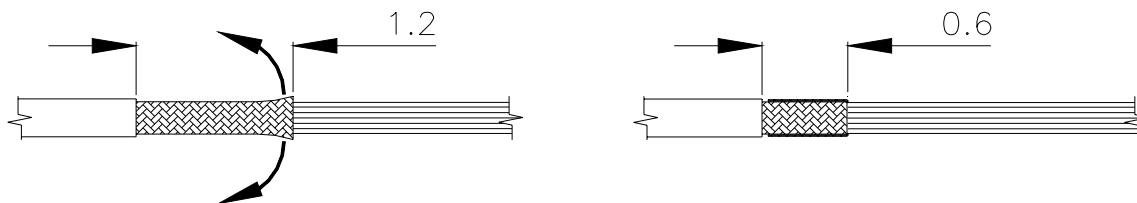


Fig. 14

Grounding of Inner Shield (24 350 06 2766 only)

Inner shield is grounded on connection board.



Cut inner shield back to approximately 1.2 inch. Then fold inner shield back to inner jacket, so the inner shield is 0.6 inches in length.

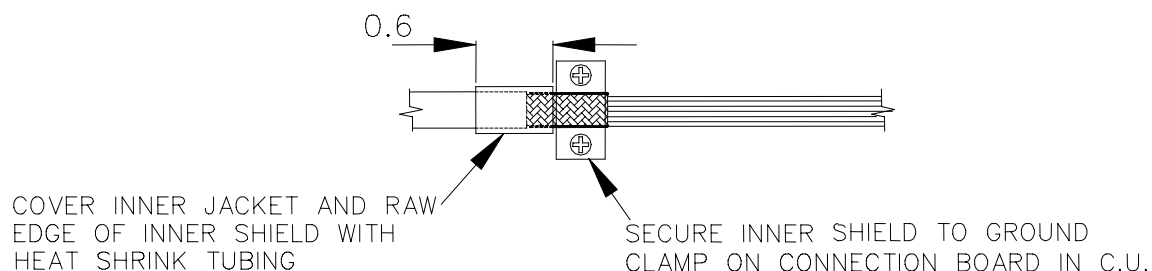


Fig. 14a

DS350G Central Unit Wiring (24 350 06 2700, 2766)

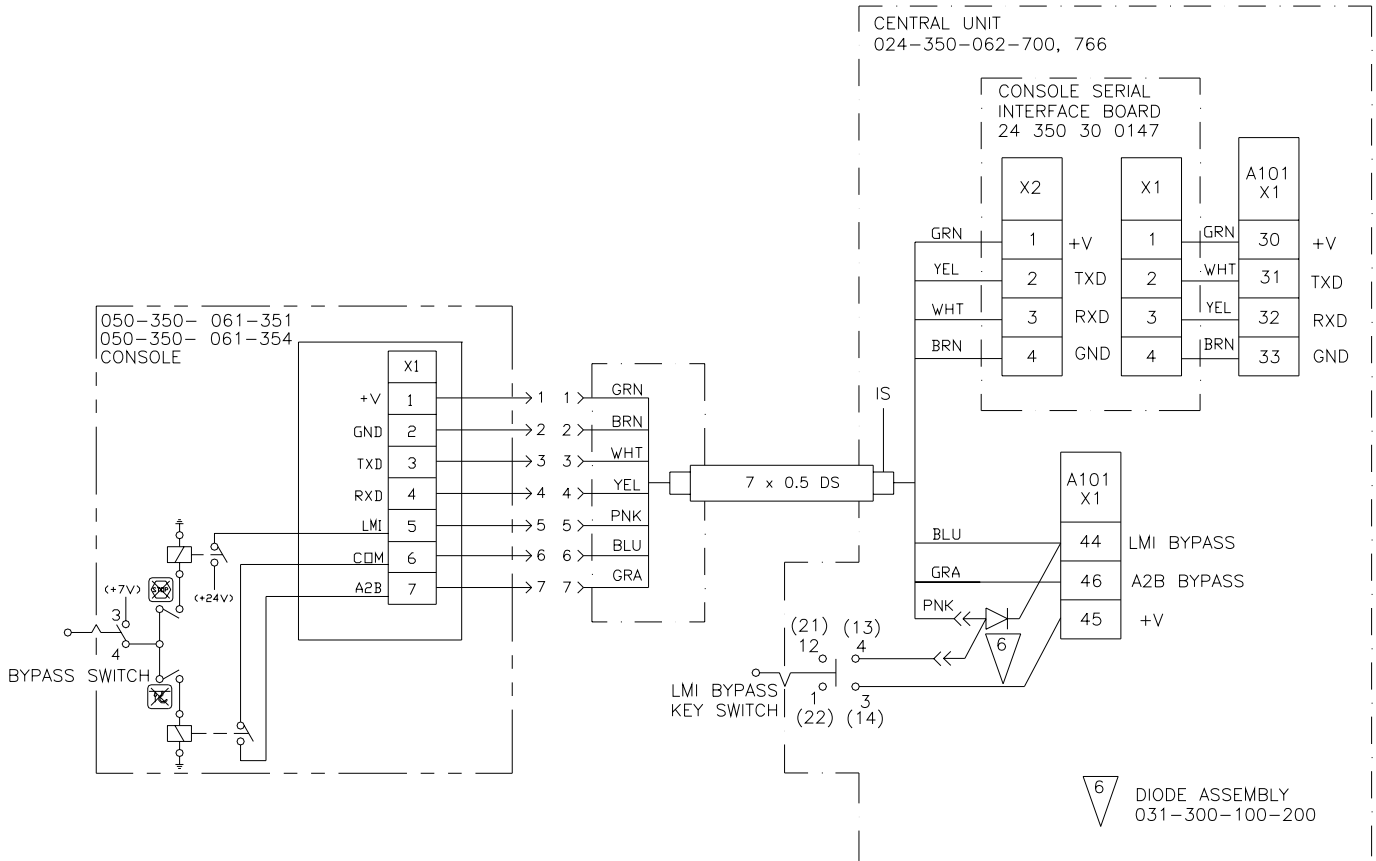


Fig. 15

DS350G Central Unit Wiring (24 350 06 0701, 24 350 06 0721)

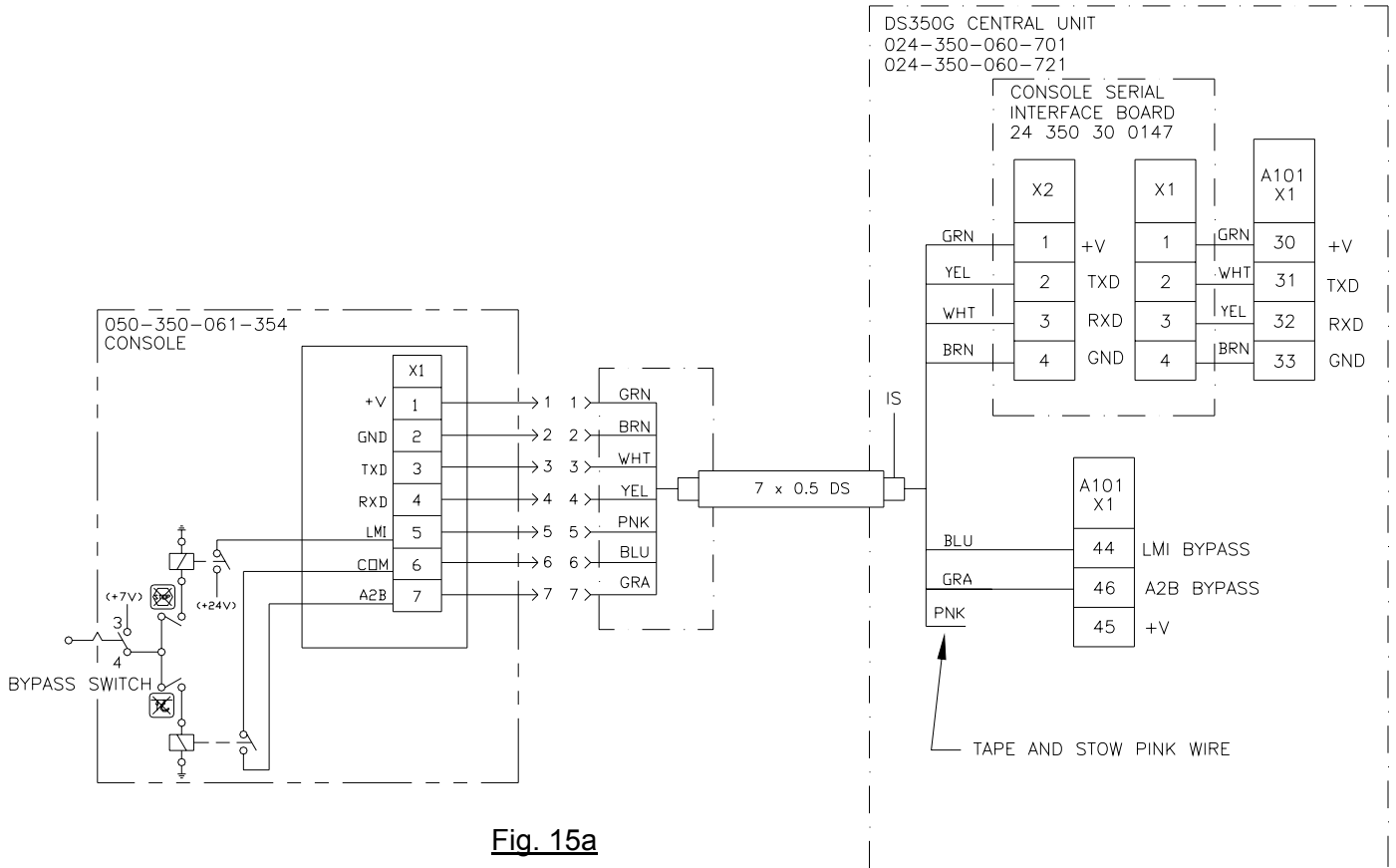
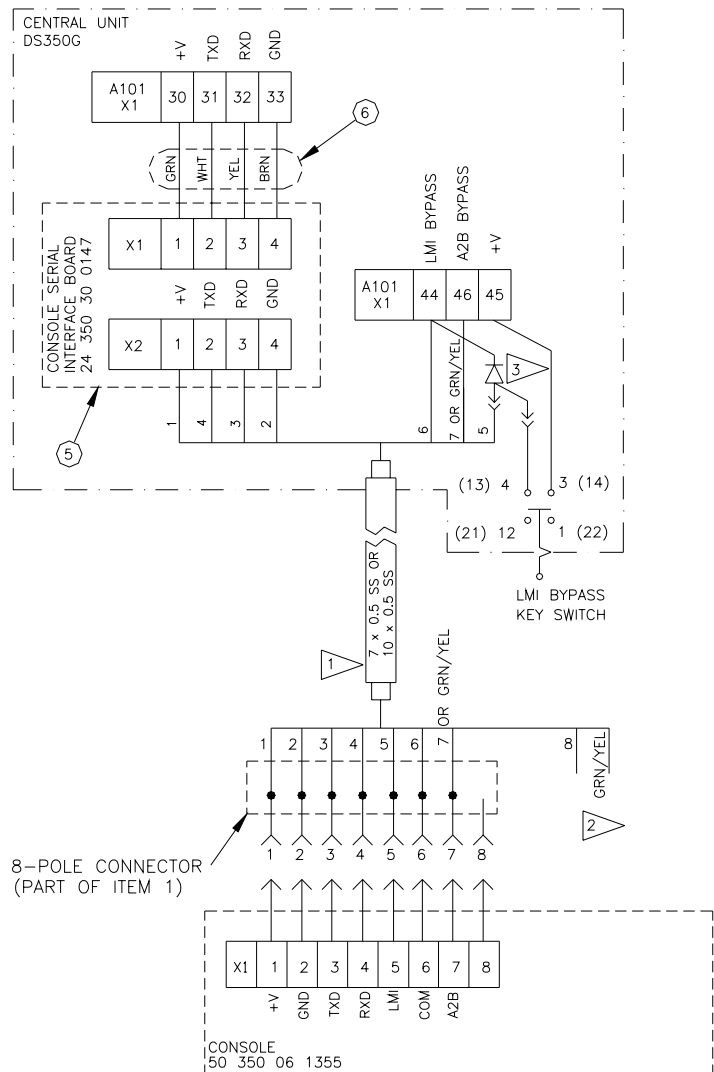


Fig. 15a

DS350G Central Unit Wiring (24 350 06 0700)



WIRING DETAIL

WIRING NOTES:

- 1 OUTER SHIELD GROUNDED TO CONSOLE HOUSING
SEE VIEW 'C-C'. (PAGE 3)
- 2 SOME WIRES MAY BE CONNECTED TO POWER
IN THE CENTRAL UNIT. TAPE AND STOW WIRES
NOT CONNECTED.
- 3 EXISTING DIODE ASSEMBLY MUST BE INSTALLED
AS SHOWN. (031-300-100-200)

Fig. 15b

ITEM	PART NUMBER	QTY	DESCRIPTION
1	050-350-061-355	1	CONSOLE, DS350 IN-DASH GRAPHICREPLACEMENT FOR DS350/1319
2	031-300-050-746	2	MOUNTING PLATE, CONSOLE NUTSTRIP
3	031-300-050-515	4	SCREW, #6-32 X 1/2, FH, PH
4	031-300-050-547	8	SCREW, #6-32 X 3/4 ALLEN HEADBLACK MACHINE SCREW
5	024-350-300-147	1	BOARD, SERIAL INTERFACE DS350/0147/VAR.
6	031-300-060-610	1	CABLE ASSY. 4 COND LT

CENTRAL UNIT, DS350GC (24 350 06 2767)

Serial Interface Installation

1. Locate position of installation. (Fig. 8)
2. Remove two screws and lock washers from the main board. (Fig. 9)
3. Install two 4mm x 20mm standoffs where the screw were removed. (Fig. 10)
4. Attach mounting rail 031-300-050-721 on top of the standoffs using the screws and lock washers removed from the main board. (Fig. 11)
5. Install (snap) serial interface board 024-350-300-147 on the mounting rail. (Fig. 11)



Fig. 8



Fig. 9

2



Fig. 10

3

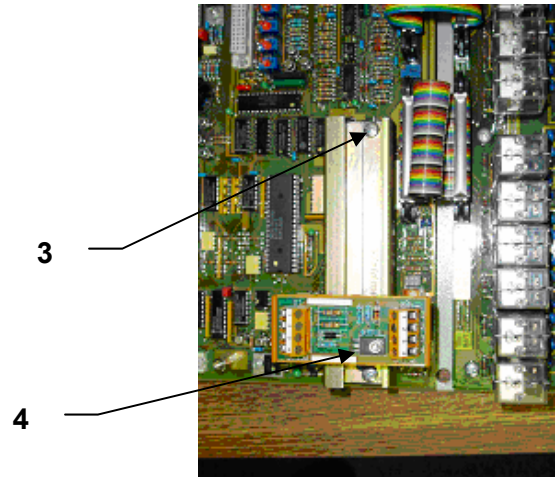


Fig. 11

3

4

6. Wire cable ass'y 031-300-060-610 (crimp ferrule end) to terminal X1 on the serial interface board per the electrical schematic. (Fig. 12 and 16)
7. Wire the other end of the cable (1/8" female terminal end) to the connection board per the electrical schematic. (Fig. 12 and 16)

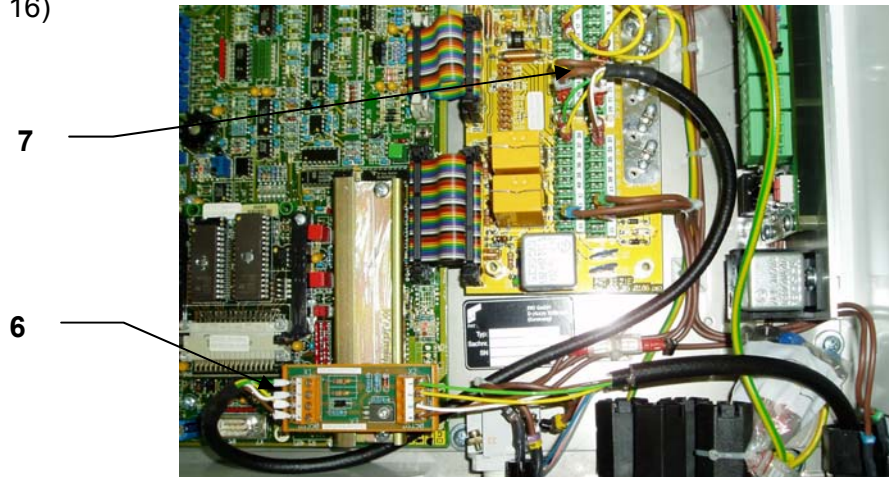


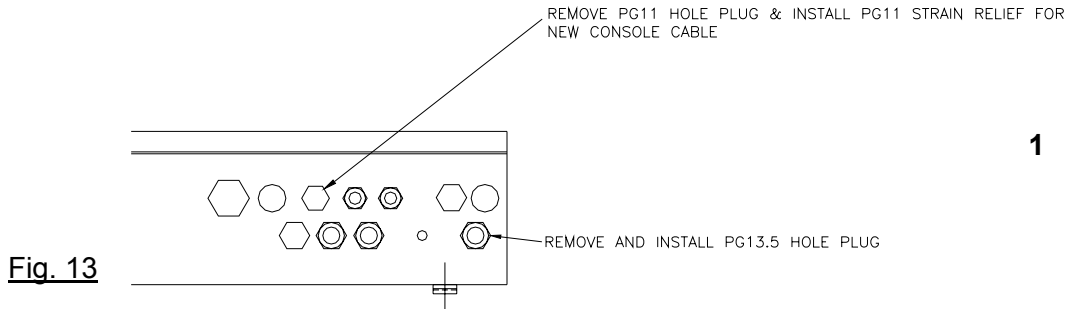
Fig. 12

7

6

Central Unit Preparation

1. Remove existing console cable and strain relief from the central unit and install PG13.5 hole plug using the existing nut. Remove existing PG11 hole plug. Install new PG11 strain relief using the existing nut. (Fig. 13)



Cable Assembly Installation

1. Attach inner shield to grounding clamp on the connection board per diagram. (Fig. 14 and 14a)
2. Install 1/8" and 1/4" female terminals on wire ends and attach to connection board and diode ass'y per electrical schematic. (Fig. 16)
3. Reinstall central unit lid and any grounding wires that apply.

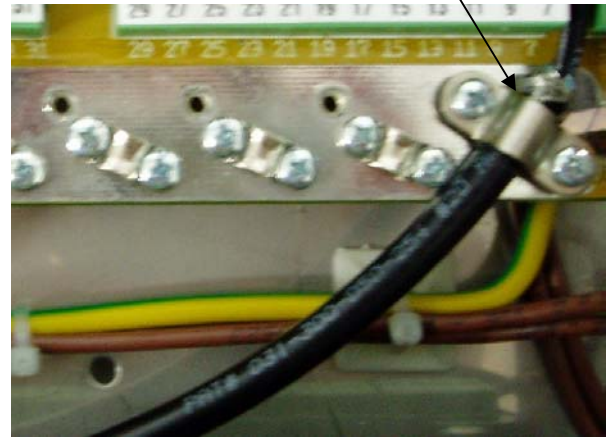
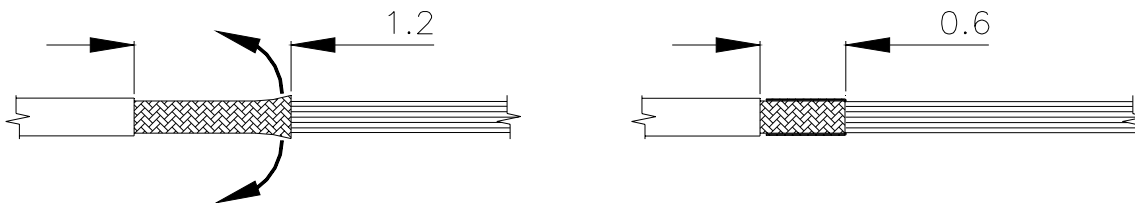


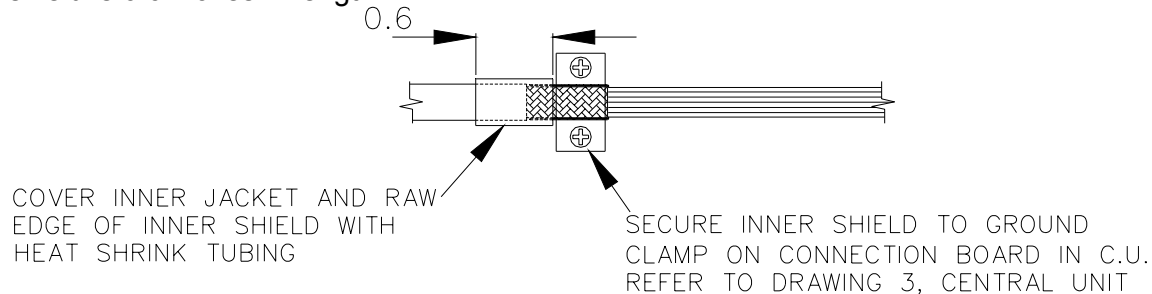
Fig. 14

Grounding of Inner Shield

Inner shield is grounded on connection board.



Cut inner shield back to approximately 1.2 inch. Then fold inner shield back to inner jacket, so the inner shield is 0.6 inches in length.



DS350G Central Unit Wiring (24 350 06 2767)

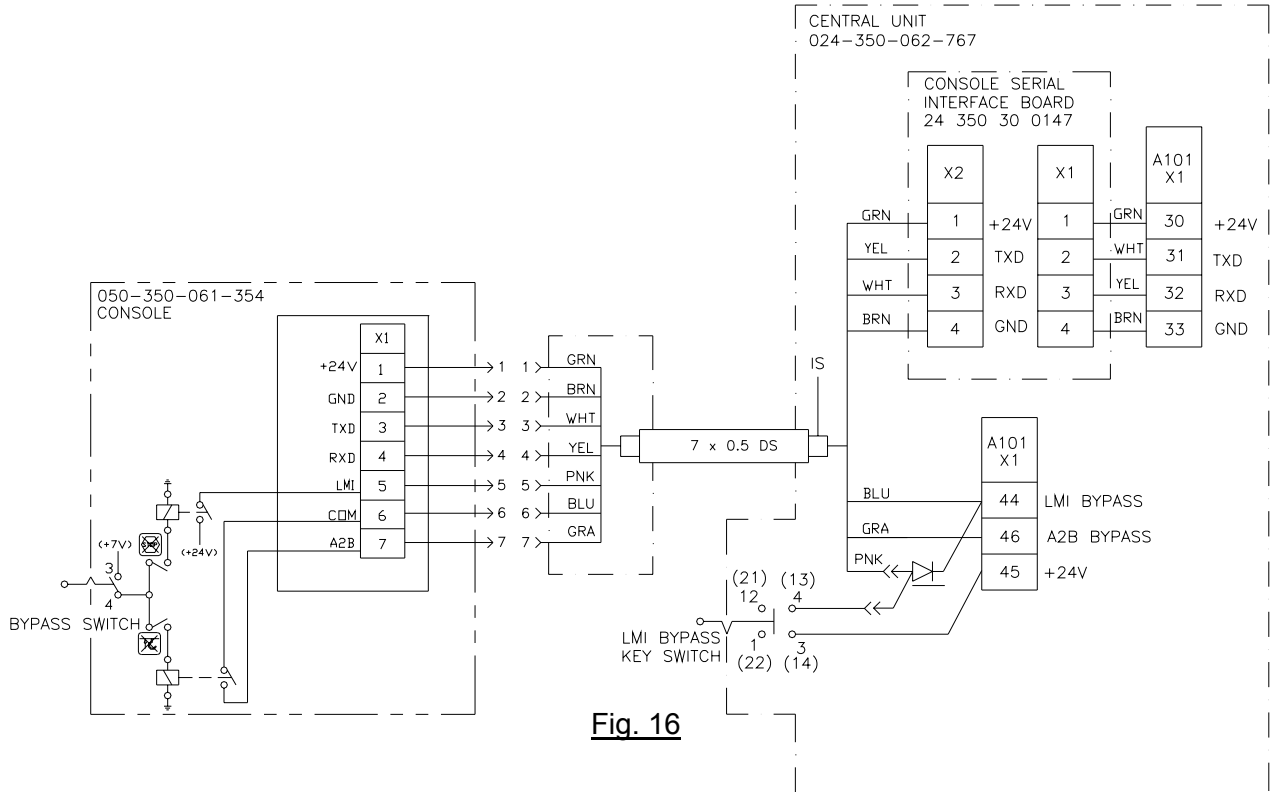


Fig. 16

CENTRAL UNIT, DS350GM (24 350 06 3015)

PROCEDURE 1. STRAIN RELIEF INSTALLATION

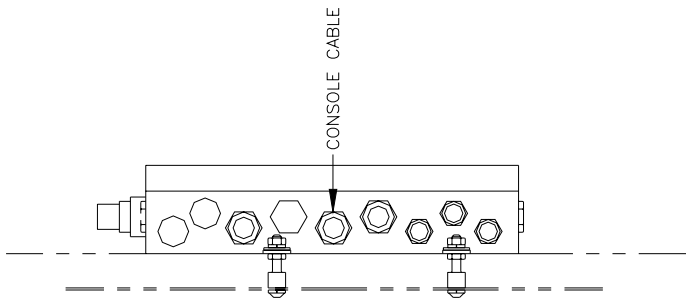
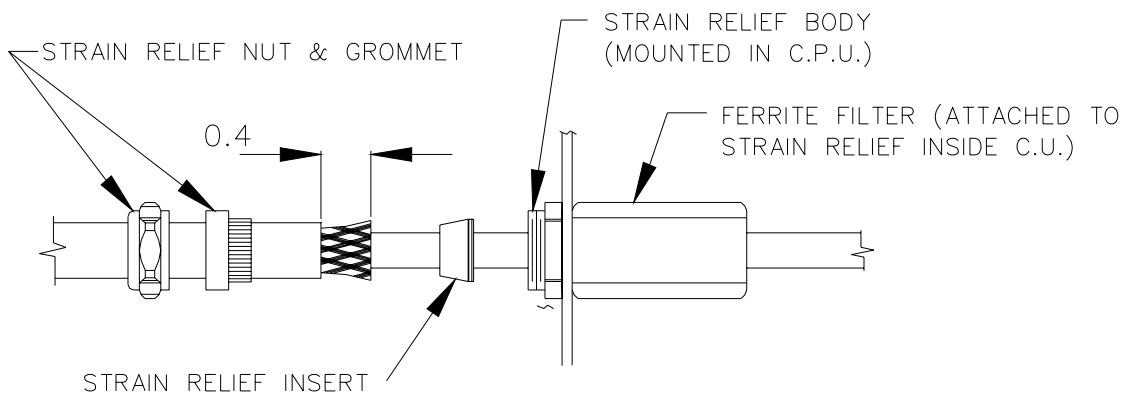


Fig. 17

1. Remove cover from the central unit. Remove ground and heater wires as required.
2. Remove existing cable and strain relief grommet from the central unit. Do not remove the strain relief. (Fig. 17)
3. Install the new strain relief grommet only, and install console cable. (Fig. 18).



Note: Outer shield is grounded at strain relief insert.

Fig. 18

PROCEDURE 2. CONSOLE CABLE INSTALLATION IN CENTRAL UNIT

1. Ensure console is properly installed in cab.
2. Route console cable assembly (031-300-060-697) to the central unit following the same path as the existing console cable assembly. Cut the console cable to the appropriate length.
3. Wire the console cable assembly in central unit referencing the diagram. (Fig. 19)
4. Install the C.U. lid. Reinstall and any grounding and heater wires removed, then install the cover and tighten screws, making sure the rubber gasket, is positioned correctly, to prevent any moisture from entering the central unit.

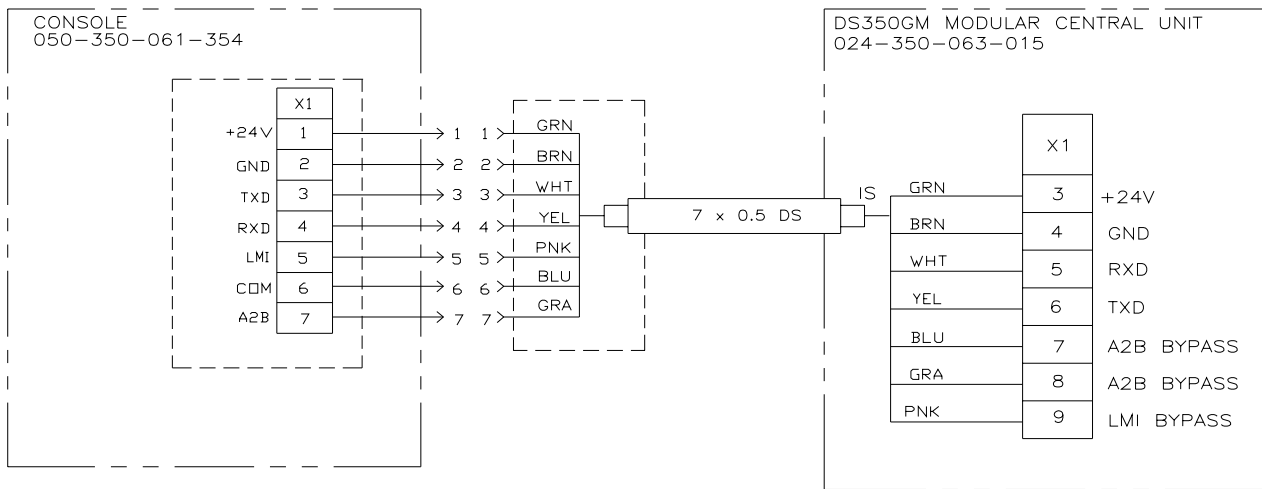


Fig. 19

