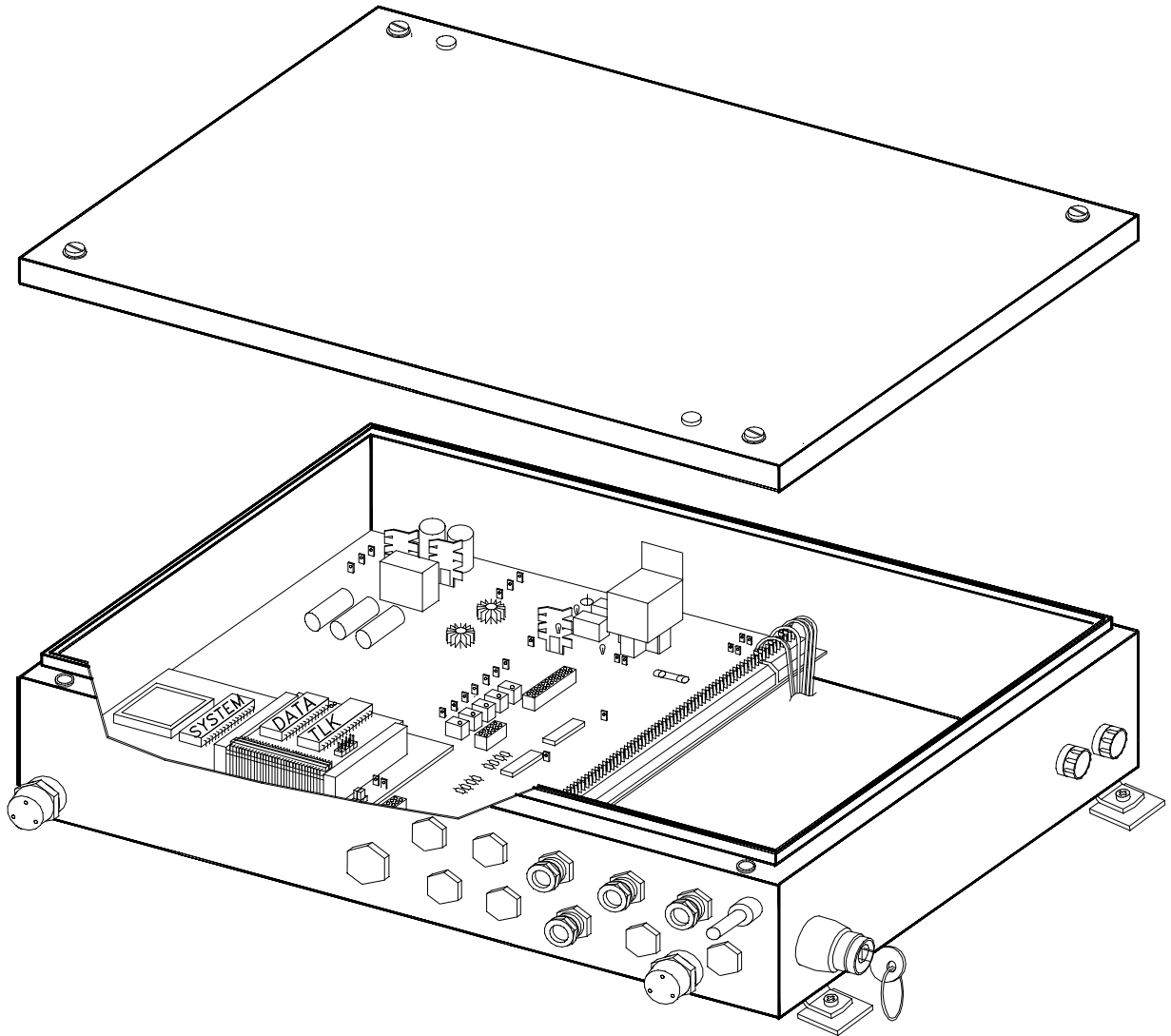


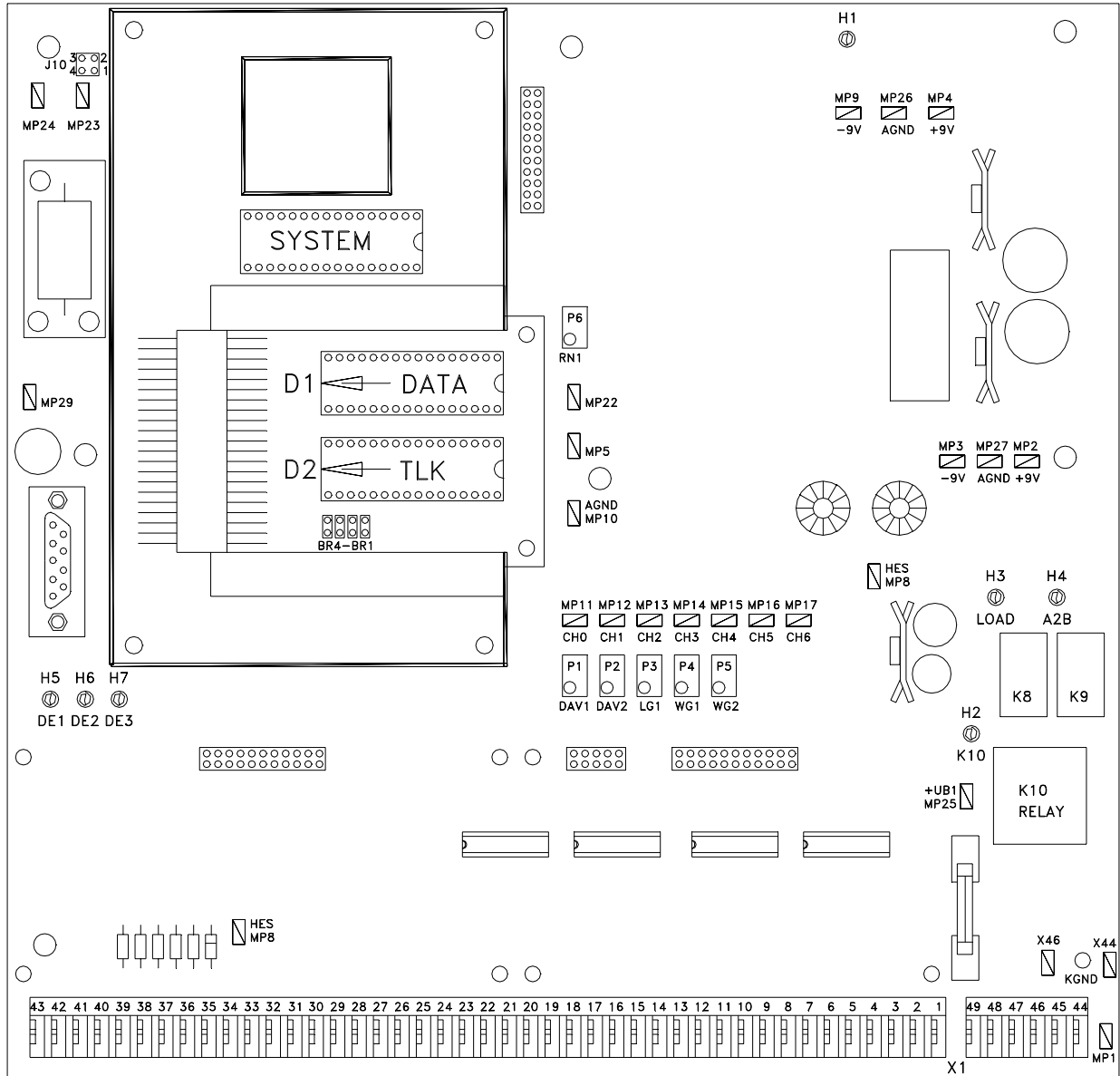
Follow this procedure when changing EPROM's in the DS150C central units.



1. Remove cover, from central unit.

CAUTION: Before handling the EPROM, discharge any static electricity from your body by touching a ground source. The EPROM could be damaged, if this procedure, is not followed.

2. Remove the old EPROM from the main board using a eprom puller. Be careful not to bend the legs of the EPROM when removing it.



3. Installing the new EPROM:

- Ensure the notch is in the correct direction. The direction of the EPROM is determined by the notch on the end of the EPROM.
- The DATA and TLK eproms fill the bottom of the socket as shown by the arrows.
- Place eproms in the correct eprom socket as shown.

4. Reinstall cover using the following procedures to prevent any moisture from entering the central unit.

Reference material:

031-300-340-002 Central Unit Cover Installation and Tightening Procedure; Rev A.
 031-300-340-003 DS 350 Central Unit Gasket Recommendations; Rev -.