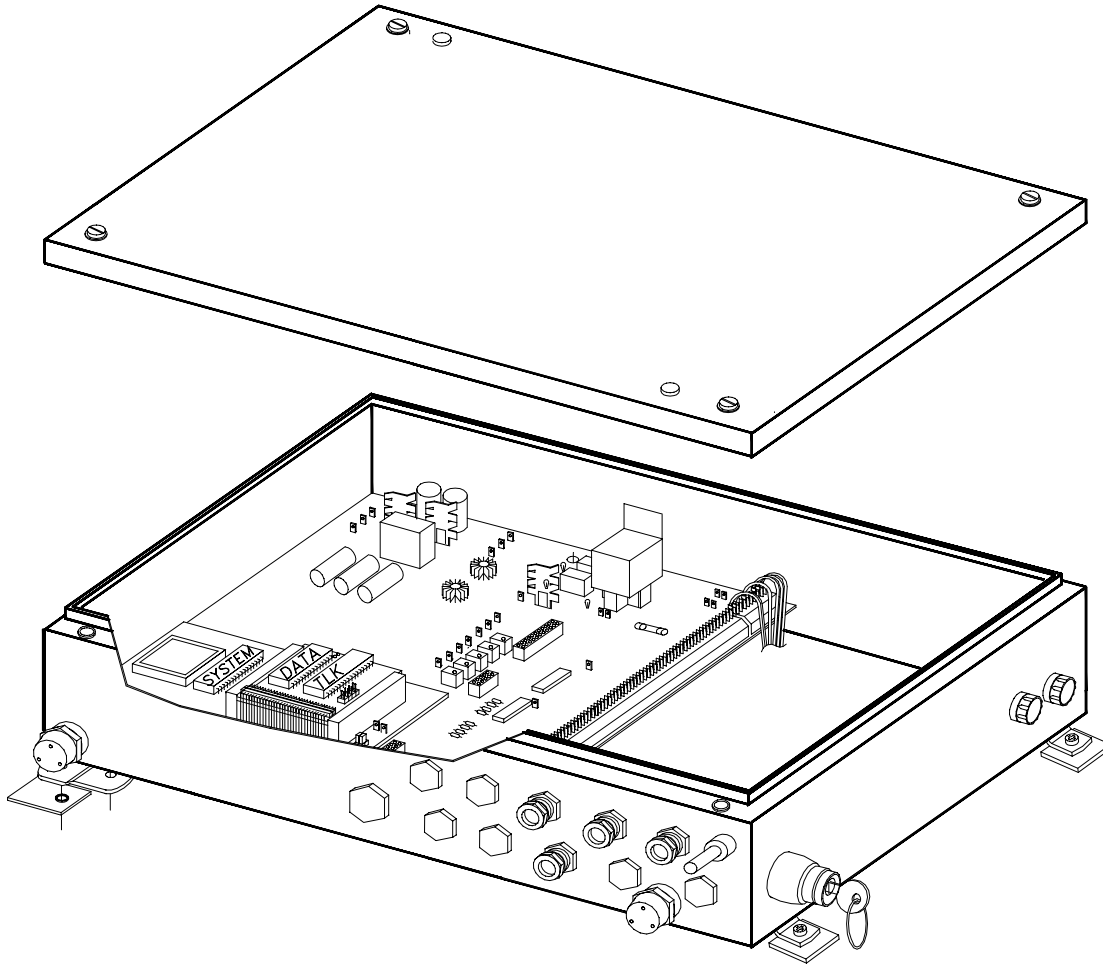


## DS150C – PROCEDURE

### EPR0M replacement in Central Unit

Follow this procedure when changing EPROM's in the DS150C central units.

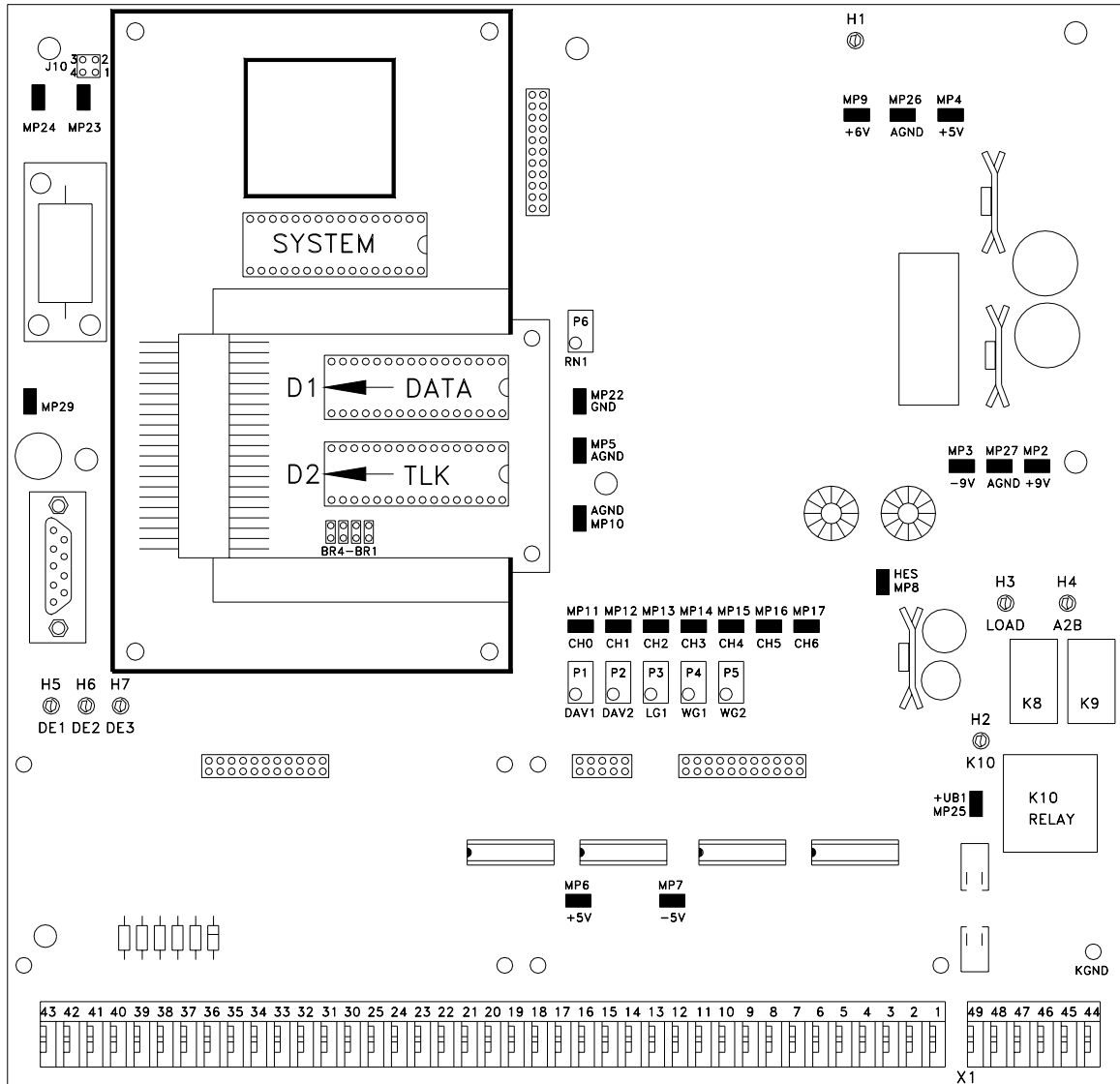
1. Remove cover, from central unit.



SI  
Bt

**CAUTION:** Before handling the EPROM, discharge any static electricity from your body by touching a ground source. The EPROM could be damaged if this procedure is not followed.

2. Remove the old EPROM from the main board using an EPROM puller. Be careful not to bend the legs of the EPROM when removing it.



3. Installing the new EPROM:

- Ensure the notch is in the correct direction. The direction of the EPROM is determined by the notch on the end of the EPROM.
- The DATA and TLK EPROM's fill the bottom of the socket as shown by the arrows.
- Place EPROM in the correct EPROM socket as shown.

4. Reinstall cover using the following procedures to prevent any moisture from entering the central unit.

Reference material:

031-300-340-002 Central Unit Cover Installation and Tightening Procedure; Rev A.

031-300-340-003 Central Unit Gasket Recommendations; Rev -.