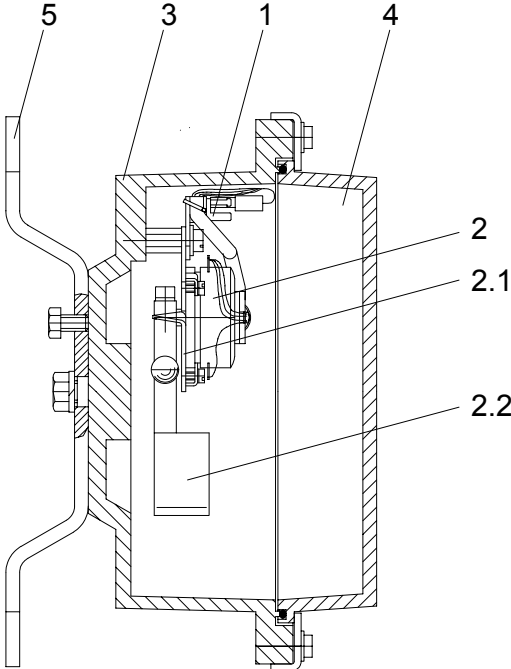


PARTS LIST

GROUP : ANGLE SENSOR  
ART.NO. : 0115294  
DATE : 22.08.02



**GROUP** : **ANGLE SENSOR**  
**ART.NO.** : **0115294**  
**DATE** : **22.08.02**

POS.	DESCRIPTION	ITEM	ART.NO.
1	P.C. Board	1	0108749
2	Module (Angle Sensor)	1	0015601
2.1	Pot	1	0012157
2.2	Pendulum cpl.	1	0015113
3	Housing	1	0018047
4	Cover	1	0029826
5	Support Bracket	1	0014653