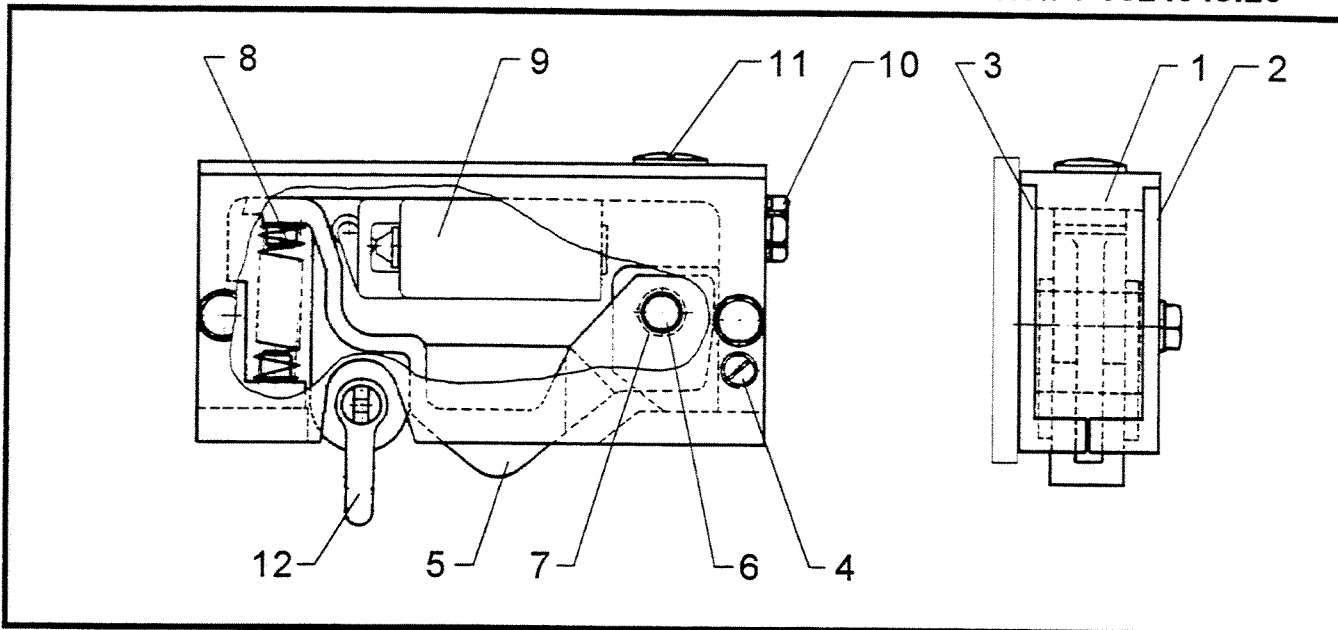




Component: **A-2-B Switch**

Article No.: **1-0024849.20**



<u>ITEM NO.</u>	<u>DESCRIPTION</u>	<u>QUAN.</u>	<u>ARTICLE NO.</u>
1	Center Housing	1	1-0112531.00
2	Cover - Left	1	1-0010045.00
3	Cover - Right	1	1-0010044.00
4	Slotted Flat Head Screw - M5 x 8	2	1-0013391.00
5	Lever	1	1-0010041.00
6	Straight Pin	1	1-0010042.00
7	Bushing	1	1-0010104.00
8	Spring	1	1-0100326.00
9	Micro Switch	1	1-0010039.00
10	Cable Connector	1	1-0010037.00
11	Blind Plug	1	1-0010038.00
12	Shackle with Cotter Pin	1	1-0009999.00

Required for Mounting - Order Separately

Weld Plate	1	1-0010046.00
Hex Head Capscrew - M8 x 50	2	1-0010083.00
Lock Washer - M8	2	1-0010097.00