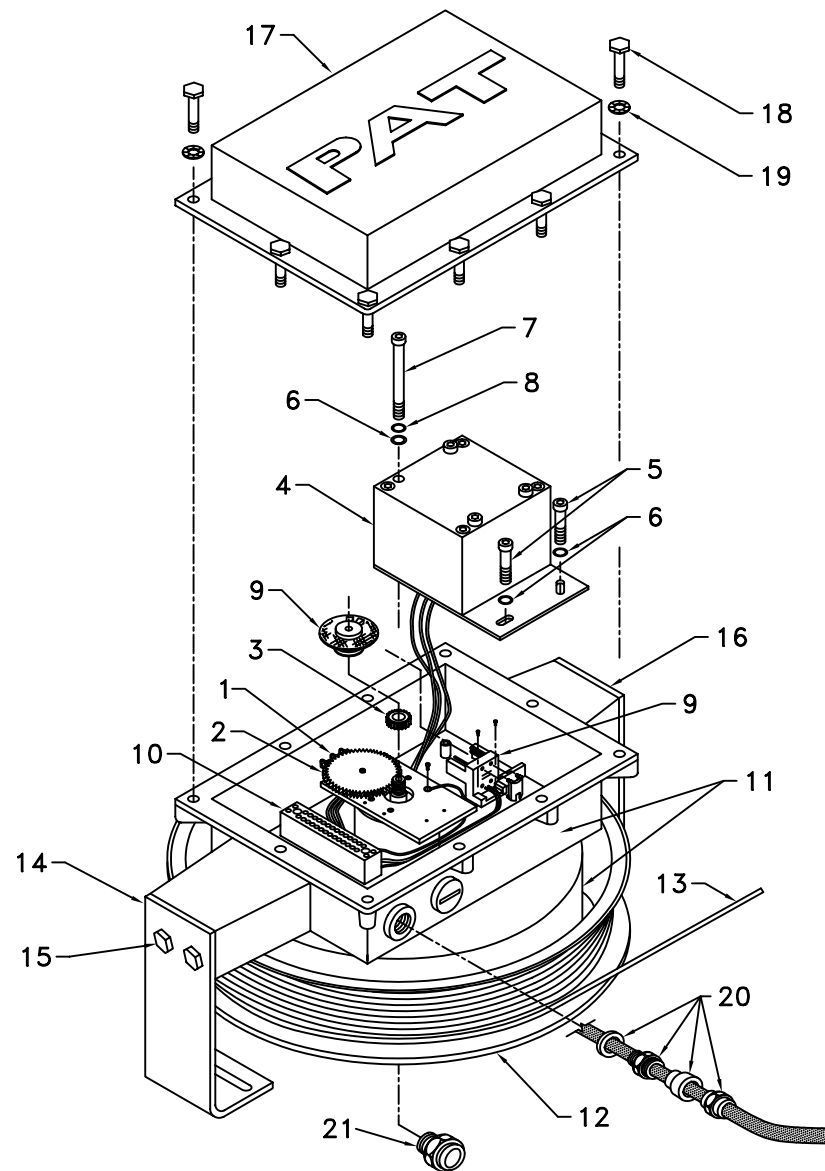




DWG NO. 068 208 02 0049 REVISION -
PAGE 2 OF 2
PART NO. 068-208-060-049
SENSOR, LENGTH/ANGLE LWG208 PARTS LIST

NO.	PART NO.	QTY	DESCRIPTION
01	068-208-060-049	1	SENSOR, LENGTH TRANS. LGE 100 (KT200/LWG208)
02	068-000-110-038	1	SENSOR ACCY, GEAR WHEEL, KT200 CABLE REEL
03	067-000-050-065	1	SENSOR ACCY, GEAR WHEEL, T=50 CENTER SHAFT
04	064-103-060-002	1	SENSOR, ANGLE WG103
05	002-050-206-012	2	SCREW, 6M X 12 SOCKET CAP
06	000-207-010-064	3	WASHER, FLAT 6MM
07	002-050-206-100	1	SCREW, 6M x 100M SOCKET CAP
08	000-208-040-083	1	WASHER, LOCK 6MM
09	068-000-100-066	1	SLIPRING, 4 CONDUCTOR
10	068-000-110-029	1	TERMINAL STRIP
11	068-000-100-152	1	CABLE REEL, KT200 HOUSING, W/SPRING PACK
12	068-000-110-011	1	CABLE REEL ACCY, CABLE DRUM,KT 200/ LWG208
13	000-673-030-022	139'	CABLE, LENGTH SENSOR, 3 CORE W/SHIELD (per ft)
14	006-800-005-058	1	BRACKET, MTG. CABLE REEL ARM, ONE SLOT
15	000-205-031-230	4	SCREW, 12mm x 30MM HEX HEAD
16	006-800-005-057	1	BRACKET, MTG. CABLE REEL ARM, TWO SLOTS
17	005-682-000-001	1	COVER, CABLE REEL, KT200
18	068-000-110-031	10	CABLE REEL ACCY, SCREW CABLE REEL COVER
19	000-208-020-006	10	WASHER, LOCK 6mm
20	021-441-131-013	1	STRAIN RELIEF, PG 13.5, 8-12mm RED+WHITE
21	000-214-030-703	1	STRAIN RELIEF, PG7 BLACK



PAT		PAT EQUIPMENT CORPORATION 1665 ORCHARD DRIVE CHAMBERSBURG, PA 17201			GENERAL TOLERANCES X.XX = 0.01 X.XXX = 0.005		CABLE REEL, LWG208 LENGTH AND ANGLE		
REV	ECN	DESCRIPTION	BY	APV	DATE	P/N	068-208-060-049		
						DRAWN	SHEILA BOWMAN	05/02/96	
						APPROVED	CHRIS HERTZLER	05/03/96	
						SCALE: NONE	SHEET: 1 OF 1		
PAT Equipment Corporation reserves proprietary rights to this drawing and to the data shown thereon. The drawing and data are confidential and are not to be used or reproduced without the written consent of PAT Equipment Corporation. This drawing is subject to technical modification without prior notice.						960074	SIZE	DWG NO.	
						C.A.G.E. 79760	A	068 208 02 0049	