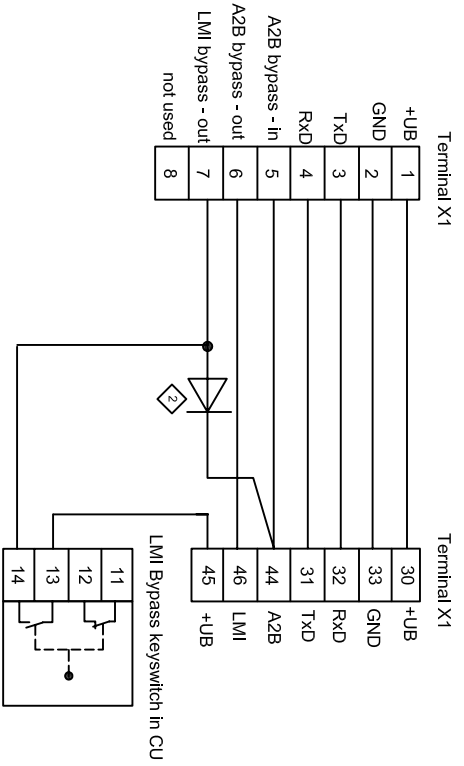


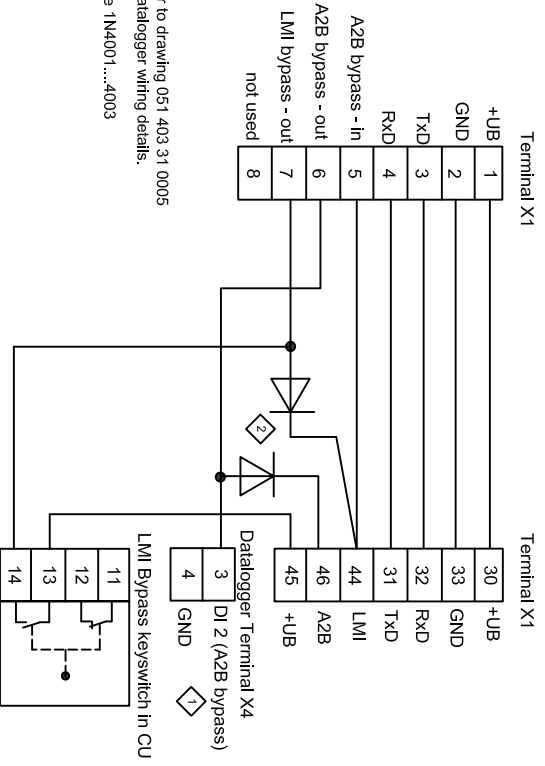
Console
50 350 06 1222

Central Unit DS 350 G
24 350 06 0700



Console
50 350 06 1222

Central Unit DS 350 G w/ DL 350
24 350 06 0734



- Notes
- 1 Refer to drawing 051 403 31 0005 for datalogger wiring details.
 - 2 Diode 1N4001....4003

PAT AMERICA, Inc. 1665 ORCHARD DRIVE CHAMBERSBURG, PA 17201		GENERAL X.XX = 0.01 TOLERANCES UNLESS OTHERWISE SPECIFIED		CONSOLE (1222) WIRING DS 350 G (700 / 734)	
REV	ECN	DESCRIPTION	DATE	APPROVED	SCALE: NONE
					SIZE: DWG NO. A 050 350 31 1222
PAT AMERICA, Inc. reserves the right to change and to discontinue without notice, the design of any product shown on this drawing. The drawing is subject to technical modification without further notice.			C.A.G.E. 79760	SHEET: 1 OF 1	