

SKM312 LINERIDER ITEM-NO AND DESCRIPTIONS

PART NUMBER	DESCRIPTION
031-300-101-185	SENSOR ASSY, SKM312 3/4", EI33
031-300-101-210	SENSOR ASSY, SKM312 7/8", EI33
031-300-101-186	SENSOR ASSY, SKM312 1", EI33
031-300-101-187	SENSOR ASSY, SKM312 1-1/8", EI33
031-300-101-188	SENSOR ASSY, SKM312 1-1/4", EI33
048-312-060-001	SENSOR, LINERIDER SKM312 5/8" (16-18mm) W/MOUNTING ARM
048-312-060-002	SENSOR, LINERIDER SKM312 3/4" (19-21mm) W/MOUNTING ARM
048-312-060-003	SENSOR, LINERIDER SKM312 7/8" (22-24mm) W/MOUNTING ARM
048-312-060-004	SENSOR, LINERIDER SKM312 1" (25-27mm) W/MOUNTING ARM
048-312-060-005	SENSOR, LINERIDER SKM312 1-1/8" (28-30mm) W/MOUNTING ARM

**PAT** PAT EQUIPMENT CORPORATION  
 1665 ORCHARD DRIVE  
 CHAMBERSBURG, PA 17201

GENERAL TOLERANCES  
 X.XX = 0.01  
 X.XXX = 0.005

SKM312 LINERIDER  
 SPARE PARTS LIST

REV	ECN	DESCRIPTION	BY	APV	DATE	DRAWN	CHRIS HERTZLER	02/23/99
						APPROVED	CHRIS HERTZLER	02/23/99

SCALE: NONE SHEET: 1 OF 2

PAT Equipment Corporation reserves proprietary rights to this drawing and to the data shown thereon. The drawing and data are confidential and are not to be used or reproduced without the written consent of PAT Equipment Corporation. This drawing is subject to technical modification without prior notice.

980101 SIZE DWG NO. A 048 312 02 0001 REV  
 C.A.G.E. 79760

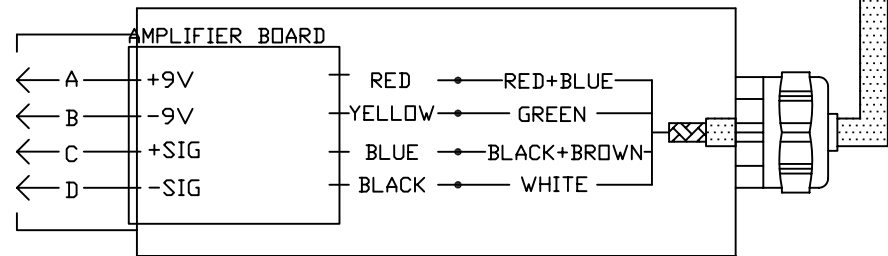
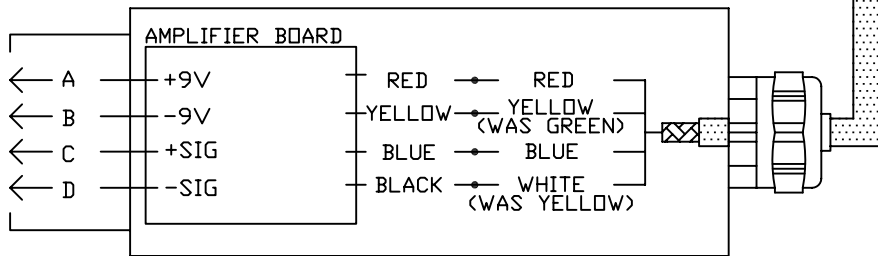
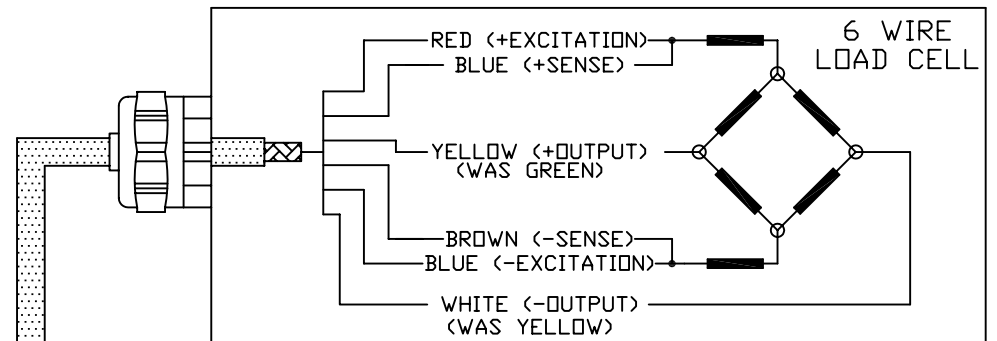
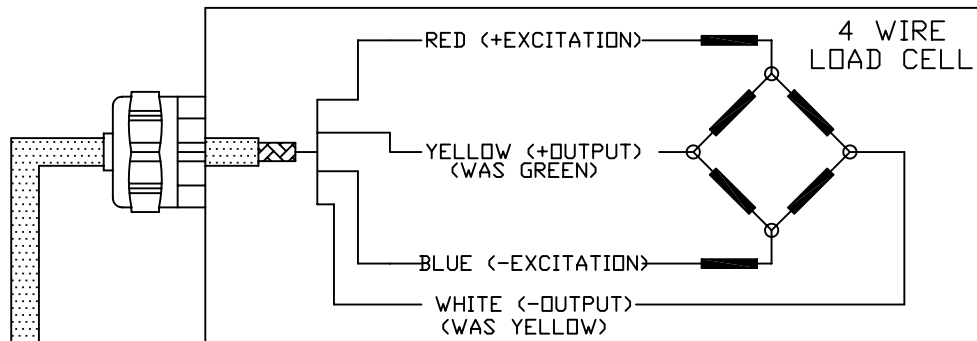


DWG NO. 048 312 02 0001 REVISION -

PAGE 2 OF 2

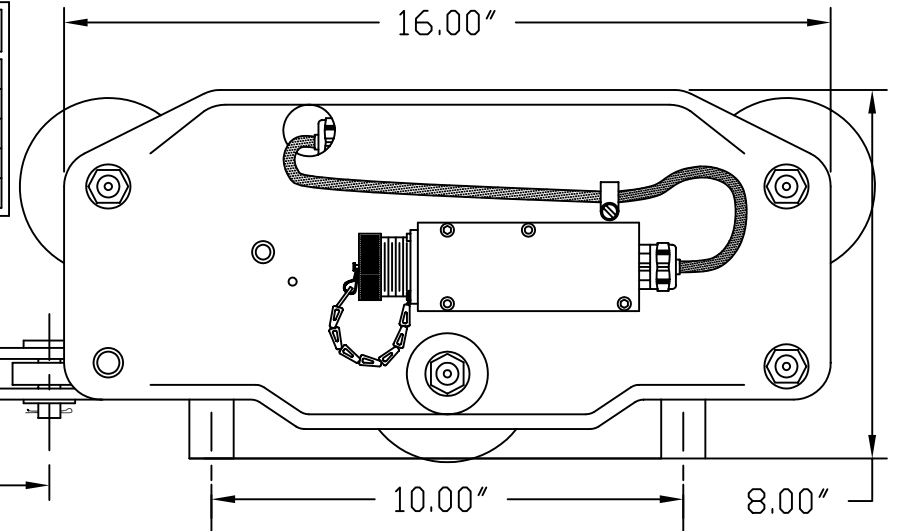
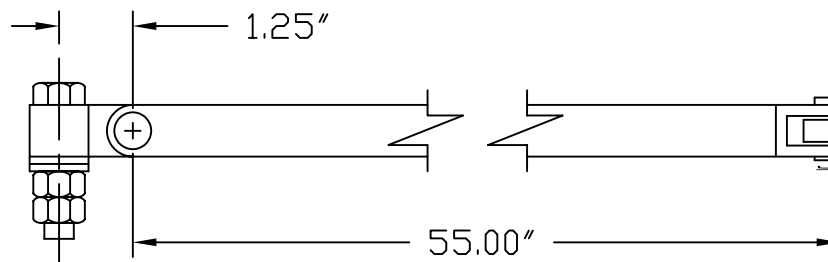
PART NO. SEE PAGE 1 FOR SKM312 PART NUMBERS  
SKM312 PARTS LIST

NO.	PART NO.	QTY	DESCRIPTION
01	000-330-700-500	1	Sensor Accy, Load Beam SKM311/312, 500 Kilo.
02	048-312-100-003	1	Sensor Accy, Amplifier SKM311/312 4 Pin W/Housing
02	048-312-100-004	1	Sensor Accy, Amplifier SKM311/312 3 Pin W/Housing
03	031-300-110-050	2	Screw, 4mm X 40 Skt. Cap (S.S)
04	048-312-110-001	1	Sheave Set, SKM 312, 5/8" Line Rider (16-18mm) #39
04	048-312-110-002	1	Sheave Set, SKM 312, 3/4" Line Rider (19-21mm) #40
04	048-312-110-003	1	Sheave Set, SKM 312, 7/8" Linerider (22-24mm)#41
04	048-312-110-004	1	Sheave Set, SKM 312, 1" Linerider (25-27mm) #42
04	048-312-110-005	1	Sheave Set, SKM 312, 1 1/8" Lineridr (28-30mm) #43
04	048-312-110-006	1	Sheave Set, SKM 312, 1 1/4" Linerider (32mm) #44
05	031-300-110-074	1	Sensor Accy, SKM312 Bushing Between Sideplates
06	031-300-110-080	8	Hardware, Retaining Ring, Ext- Ternal 12mm
07	031-300-110-071	3	Sensor Accy, SKM312, Bolt For Sheave 10x70mm Hex
08	031-300-110-072	4	Sensor Accy, SKM312 Nut 10mm Hex For Sheave Bolt
09	031-300-110-070	4	Sensor Accy, SKM312 Washer 10 Mm Belville Z/P
10	031-300-110-073	1	Sensor Accy, SKM312 Bolt For Ctr. Sheave 10mm X 46 Hex
11	031-300-110-077	2	Sensor Accy, SKM312 Pin, Load Indicator, .471 Od. X 2.210 Lg
12	031-300-110-079	1	Sensor Accy, SKM312 Bushing For Guide Pin
13	031-300-110-076	1	Sensor Accy, SKM312 Guide Pin Line Location Bkt..392 X 2.210
14	031-300-110-075	1	Sensor Accy, SKM312 Bracket Line Location For Mtg. Arm
15	031-300-110-078	1	Sensor Accy, SKM312 Side Plate Set (Only Sold As A Set)
16	000-304-000-300	4	Sensor Accy, SKM312 Rubber Bumper
17	031-300-110-069	1	Sensor Accy, SKM312 Frame Load Cell Mtg.
18	048-312-100-002	1	Sensor Accy, SKM312 Mtg. Pole, Linerider
19	031-300-110-062	1	Sensor Accy, SKM312 Nut 12mm-1.5 Hex, Stainless Steel
20	031-300-110-063	1	Sensor Accy, SKM312 Washer 12m M Belville
21	031-300-110-064	1	Sensor Accy, SKM312 Screw 12mm -1.5 X 47mm Flat-2 Sides
22	031-300-110-065	1	Sensor Accy, SKM312 Plate Load Cell Hold Down 55mm X 30mm X 4



SKM312 LINERIDER ITEM-NO AND DESCRIPTIONS

PART NUMBER	DESCRIPTION
048-312-060-001	SENSOR, LINERIDER SKM312 5/8" (16-18mm) W/MOUNTING ARM
048-312-060-002	SENSOR, LINERIDER SKM312 3/4" (19-21mm) W/MOUNTING ARM
048-312-060-003	SENSOR, LINERIDER SKM312 7/8" (22-24mm) W/MOUNTING ARM
048-312-060-004	SENSOR, LINERIDER SKM312 1" (25-27mm) W/MOUNTING ARM
048-312-060-005	SENSOR, LINERIDER SKM312 1-1/8" (28-30mm) W/MOUNTING ARM



<b>PAT AMERICA, Inc.</b> 1665 ORCHARD DRIVE CHAMBERSBURG, PA 17201				SKM312 LINERIDER 4 PIN WIRING DIAGRAM				
				GENERAL TOLERANCES	x.xx = 0.01 x.xxx = 0.005	P/N	SEE LIST ABOVE	
REV	ECN	DESCRIPTION	BY	APV	DATE	DRAWN	CHRIS HERTZLER	04/15/99
						APPROVED	CHRIS HERTZLER	04/15/99
						SCALE:	NONE	SHEET: 1 OF 1
A	04-116	CHG WIRING / ADD DIMENSIONAL	CSH	CSH	07/13/04	SIZE	DWG NO.	REV
<small>PAT America Inc. reserves proprietary rights to this drawing and to the data shown thereon. The drawing and data are confidential and are not to be used or reproduced without the written consent of PAT America Inc. This drawing is subject to technical modification without prior notice.</small>						990054	A	048 312 31 0001
						C.A.G.E.	79760	