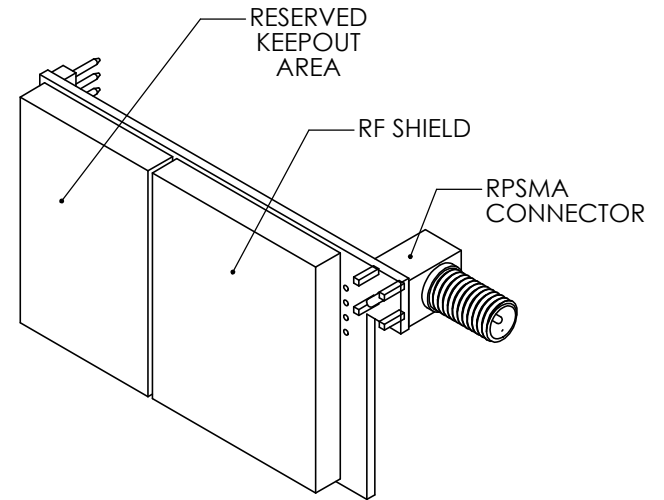
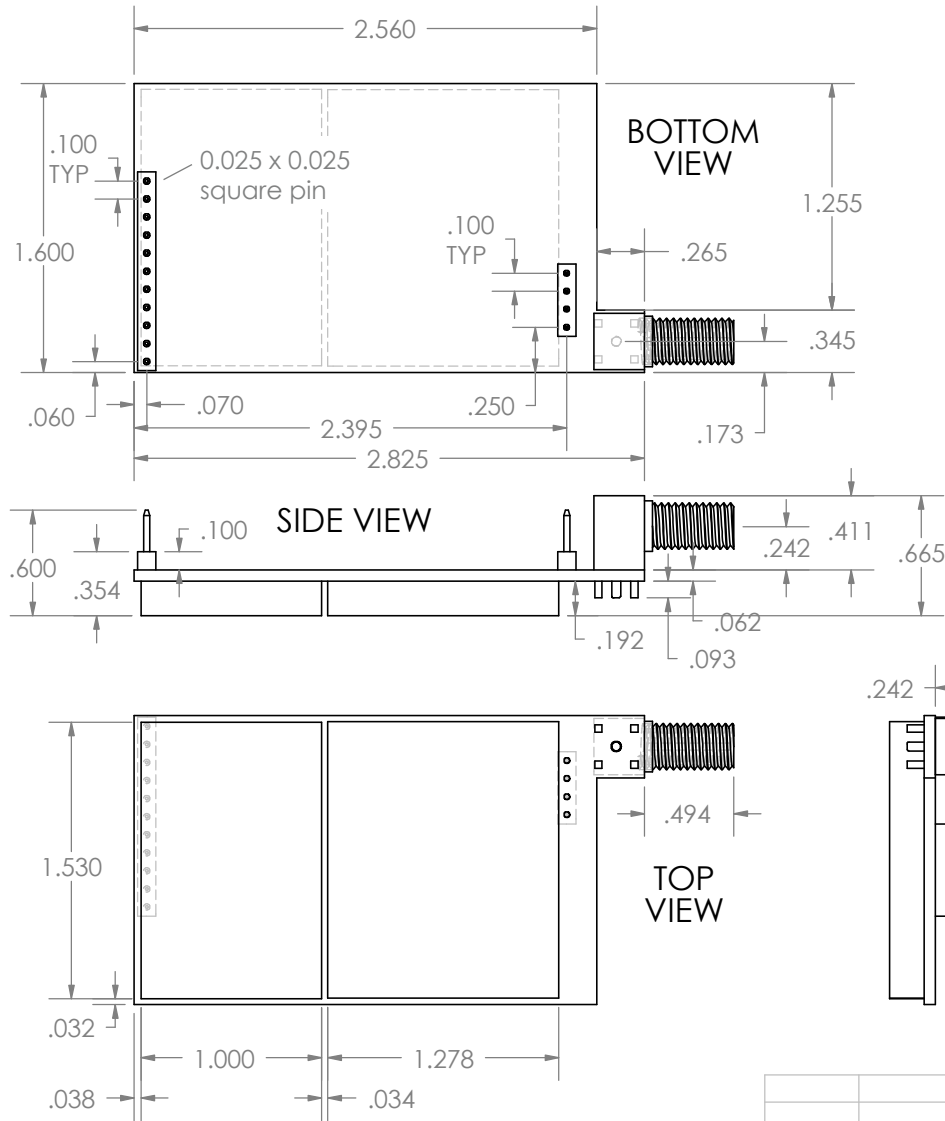


ZONE	REV.	REVISIONS	DATE	APPROVED
	1	Initial Drawing Release	01-JUN-02	



PROPRIETARY AND CONFIDENTIAL
 THE INFORMATION CONTAINED IN THIS DRAWING IS THE SOLE PROPERTY OF MaxStream. ANY REPRODUCTION IN PART OR AS A WHOLE WITHOUT THE WRITTEN PERMISSION OF MaxStream IS PROHIBITED.

DIMENSIONS ARE IN INCHES TOLERANCES: FRACTIONAL $\pm 1/2^\circ$ ANGULAR: MACH \pm BEND $\pm 1^\circ$ TWO PLACE DECIMAL $\pm .01$ THREE PLACE DECIMAL $\pm .003$		NAME	DATE	MaxStream
NEXT ASSY	USED ON		01-JUN-02	
MATERIAL		FINISH		XStream™ 900 MHz And 2.4GHZ Wireless OEM Module
APPLICATION				
SIZE A	DWG. NO. MD0001	SCALE: 1:1	WEIGHT: 0.8 oz (24G)	REV. 1
			SHEET 1 OF 1	