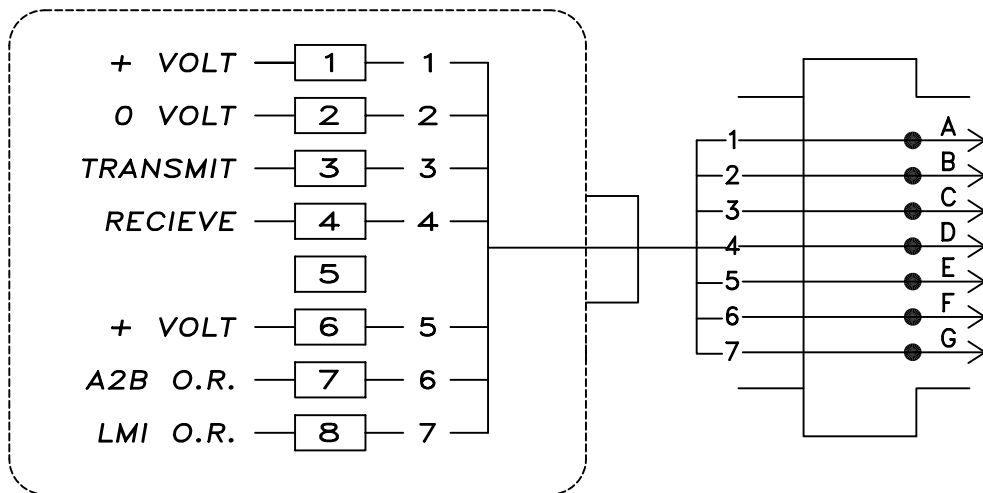


ITEM	PART NUMBER	QTY	DESCRIPTION
1	031-300-100-847	1	CABLE ASSY, CONSOLE TO CU. (MANITEX)
2	031-300-100-353	1	DECAL, WARNING, FOR CONSOLES
3	050-150-060-019	1	CONSOLE, DS150, 12V, LG DISPLAPLAY WITH HOIST
4*	071-150-140-085	1	EPROM, CONSOLE K5ADV1.2 FORDS150 MANITEX
5*	031-300-100-206	1	CHEMICAL, CORROSION INHIBITORVCI 101 DEVICE
6	031-300-050-005	1	DECAL, IDENTIFICATION, SERIAL#PART# (USA)

\* ITEM NOT SHOWN



<b>PAT</b>		PAT AMERICA, Inc. 1665 ORCHARD DRIVE CHAMBERSBURG, PA 17201		CONSOLE ASSY, DS150/0019 W/4X20 & HOIST SELECT SWITCH			GENERAL TOLERANCES X.XX = 0.01 X.XXX = 0.005		P/N 031-300-100-844	
REV	ECN	DESCRIPTION	BY	APV	DATE	DRAWN	CHRIS HERTZLER	07/02/01		
						APPROVED	CHRIS HERTZLER	07/02/01		
						SCALE:	NONE	SHEET:	1 OF 1	
						SIZE	DWG NO.		REV	
						01-197	A		031 300 10 844 -	
						C.A.G.E. 79760				