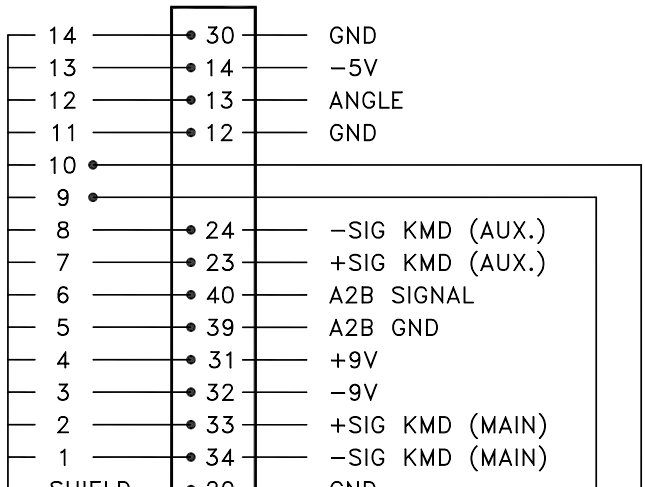
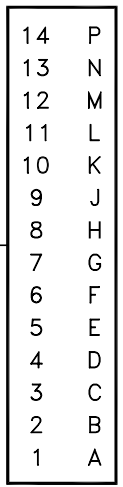
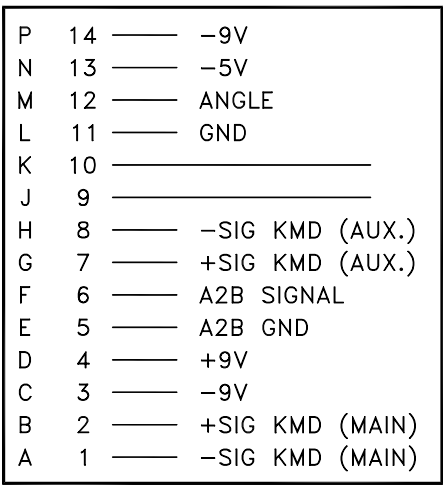
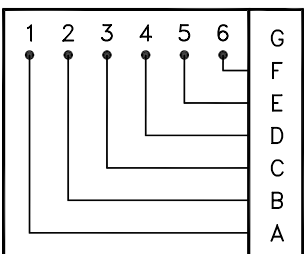


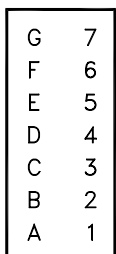
CONTINUED ON PAGE 4...



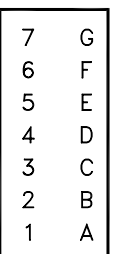
CABLE REEL
JUMPER WIRE



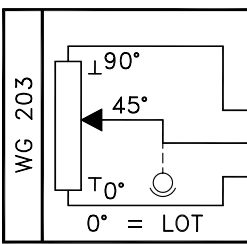
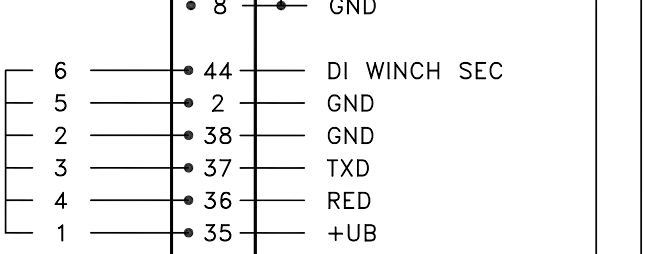
NEW CONSOLE



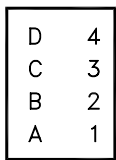
CONSOLE
JUMPER WIRE



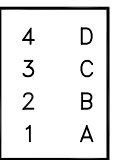
7-PIN CANNON



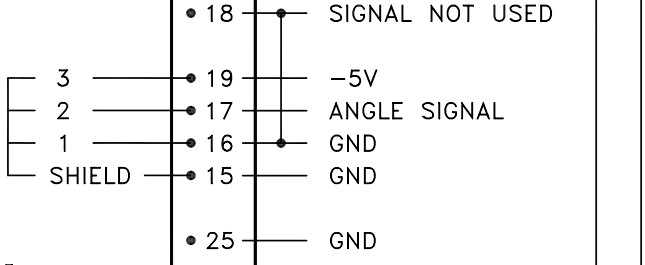
ANGLE TRANSDUCER



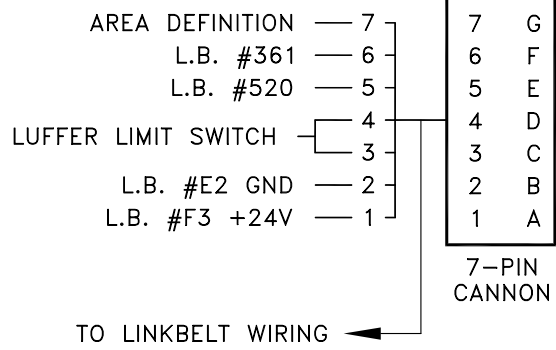
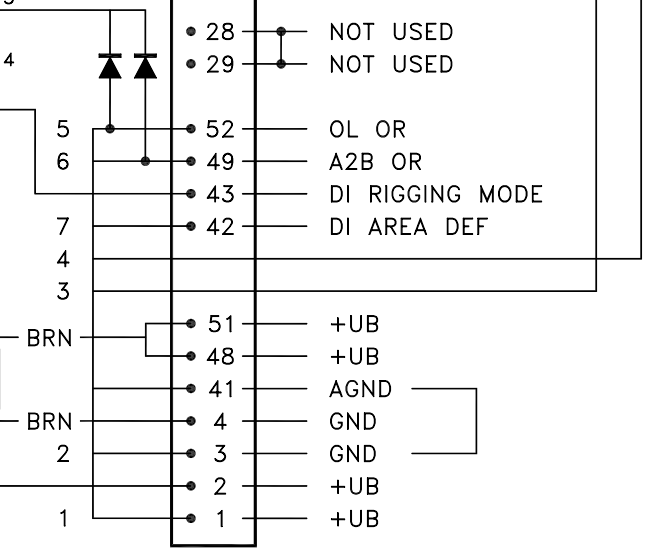
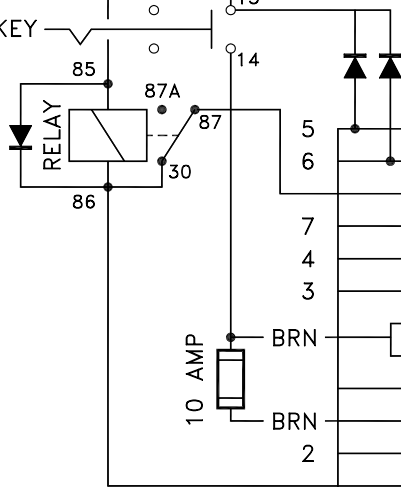
ANGLE SENSOR
JUMPER WIRE



4-PIN CANNON



O/R KEY



C.A.G.E. 79760				SCALE 1/1 (NTS)		PAGE 3 OF 4		
MATERIAL								
				DATE	NAME			
				DWN. BY	9/1/94			
				APPROV.				
1	ADDED ONE DIODE	11/7/94	RLE					
REV.	DESCRIPTION	DATE	NAME					

ELECTRICAL DIAGRAM
CENTRAL UNIT ASSEMBLY
12V STANDARD
031-300-100-418