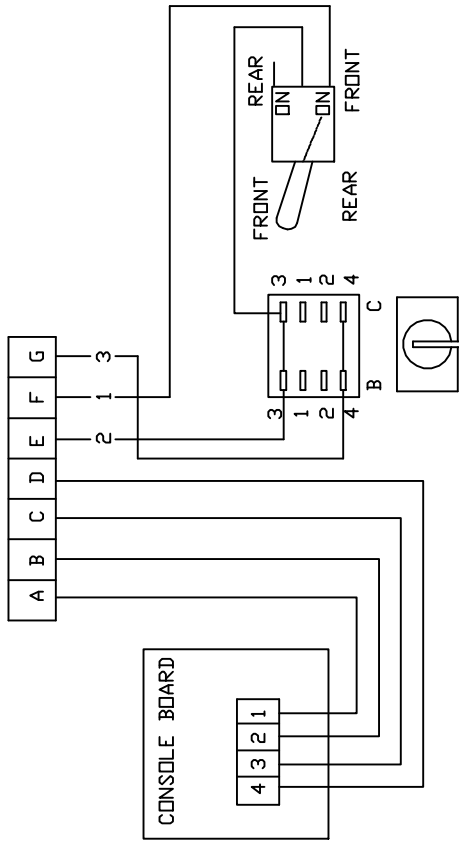
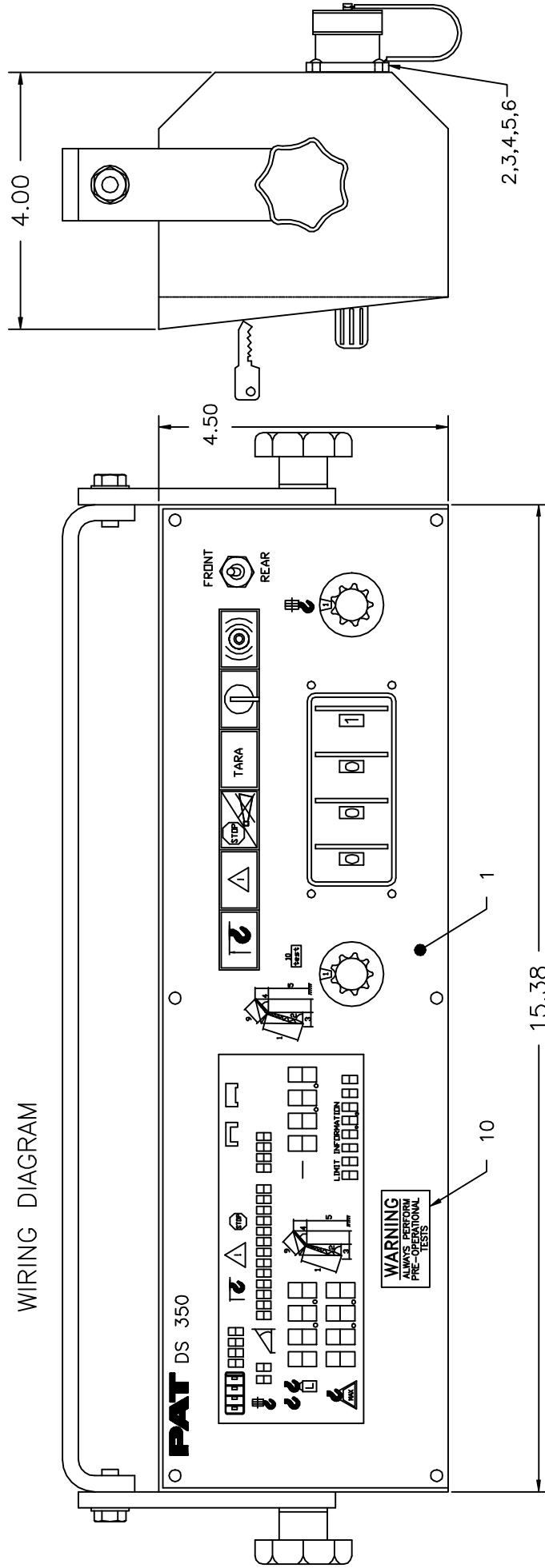


ITEM	PART NUMBER	DESCRIPTION	QTY
1	050-350-061-229	CONSOLE, DS350, 24V, AEG, 4 DECADE SW.	1
2	031-300-100-022	CONNECTOR, CANNON 7 PIN RECP #16	1
3	031-300-100-173	CONNECTOR ACCY, GASKET, SHELL # 16	1
4	031-300-100-174	SCREW, #4-40 X 1/2" PHILLIPS HEAD	4
5	031-300-100-175	WASHER, LOCK, #4	4
6	031-300-100-176	NUT, #4-40 HEX	4
7*	000-311-023-114	LAMP, 14V, LUMITAS	4
8*	000-311-023-128	LAMP, 28V, LUMITAS	-4
9*	050-350-110-116	STRAIN RELIEF ASSY, PG13.5 RED/WHT	-1
10	031-300-100-353	DECAL, WARNING FOR CONSOLE	1

* PARTS NOT SHOWN



WIRING DIAGRAM



CONNECTOR HAS SAME LOCATION AS EXISTING STRAIN RELIEF.

PAT PAT EQUIPMENT CORPORATION 1665 ORCHARD DRIVE CHAMBERSBURG, PA 17201		GENERAL TOLERANCES X.XX = 0.01 X.XXX = 0.005	CONSOLE DS350/1229 12V HORIZONTAL AEG DISPLAY
REV	ECN	DESCRIPTION	P/N
B	970342	ADD DWG BOM & WIRE #'S FOR SWITCHES	031-300-100-539
A	960256	CHG WIRE #6 TO (FRONT/ON) HOIST SELECT SWITCH	DRAWN CHRIS HERTZLER APPROVED CHRIS HERTZLER
PAT Equipment Corporation reserves proprietary rights to this drawing and to the data shown thereon. The drawing and data are confidential and are not to be used or reproduced without the written consent of PAT and are subject to change without prior notice. This drawing is subject to technical modification without prior notice.		DATE	8/26/96
		CSH	9/23/96
		CSH	9/23/96
		SCALE:	NONE
		SIZE	DWG NO.
		SHEET:	1 OF 1
		C.A.G.E.	79760
		REV	B
		A	031 300 10 0539