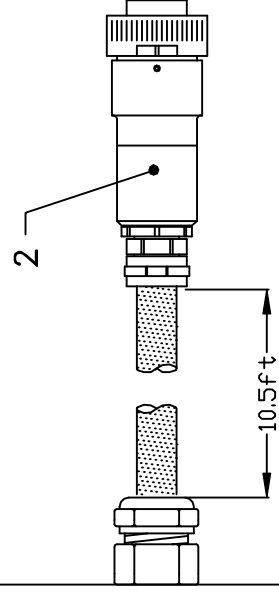
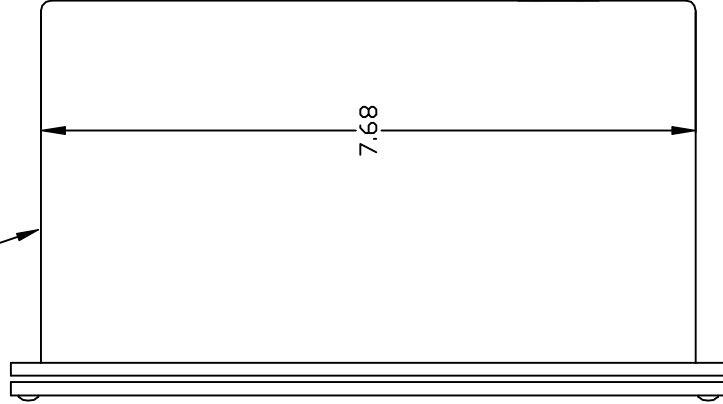
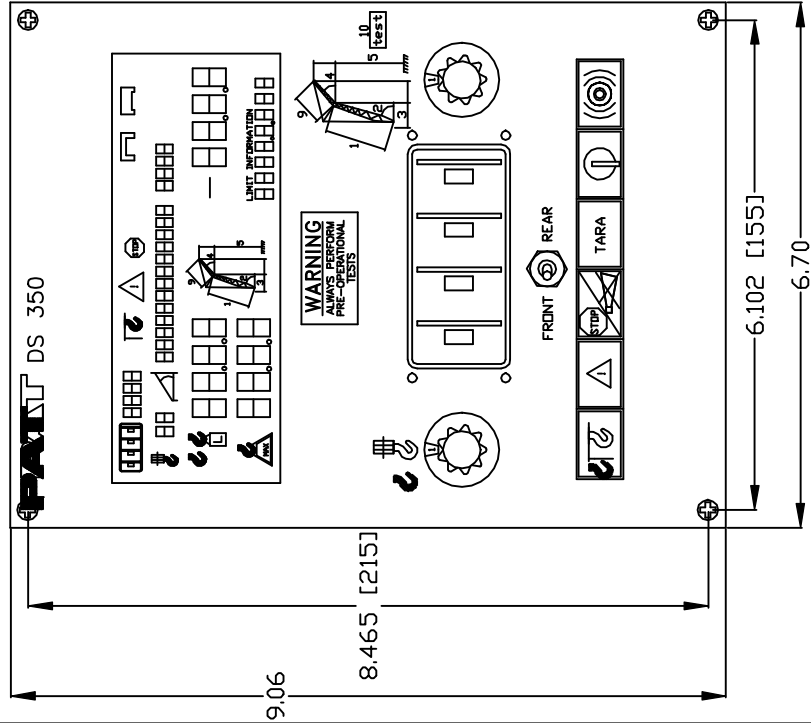
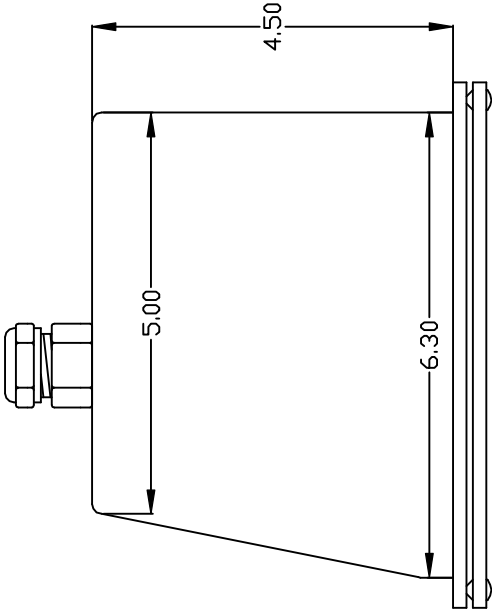
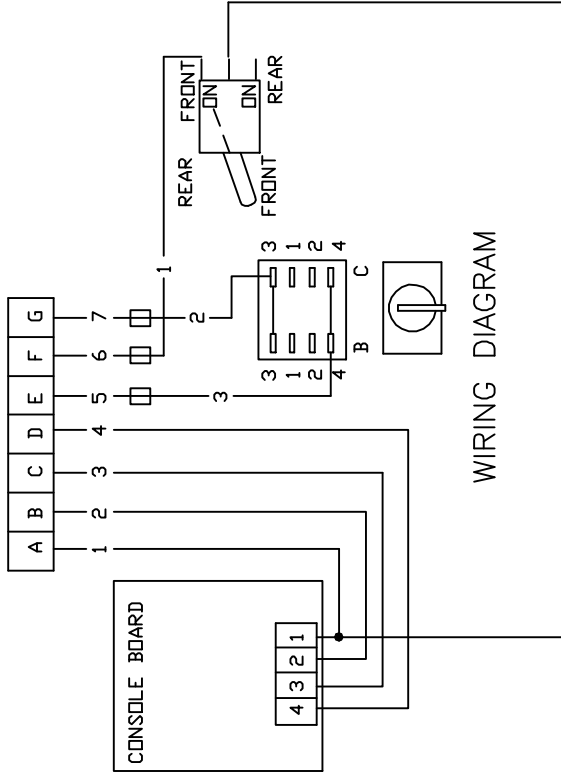
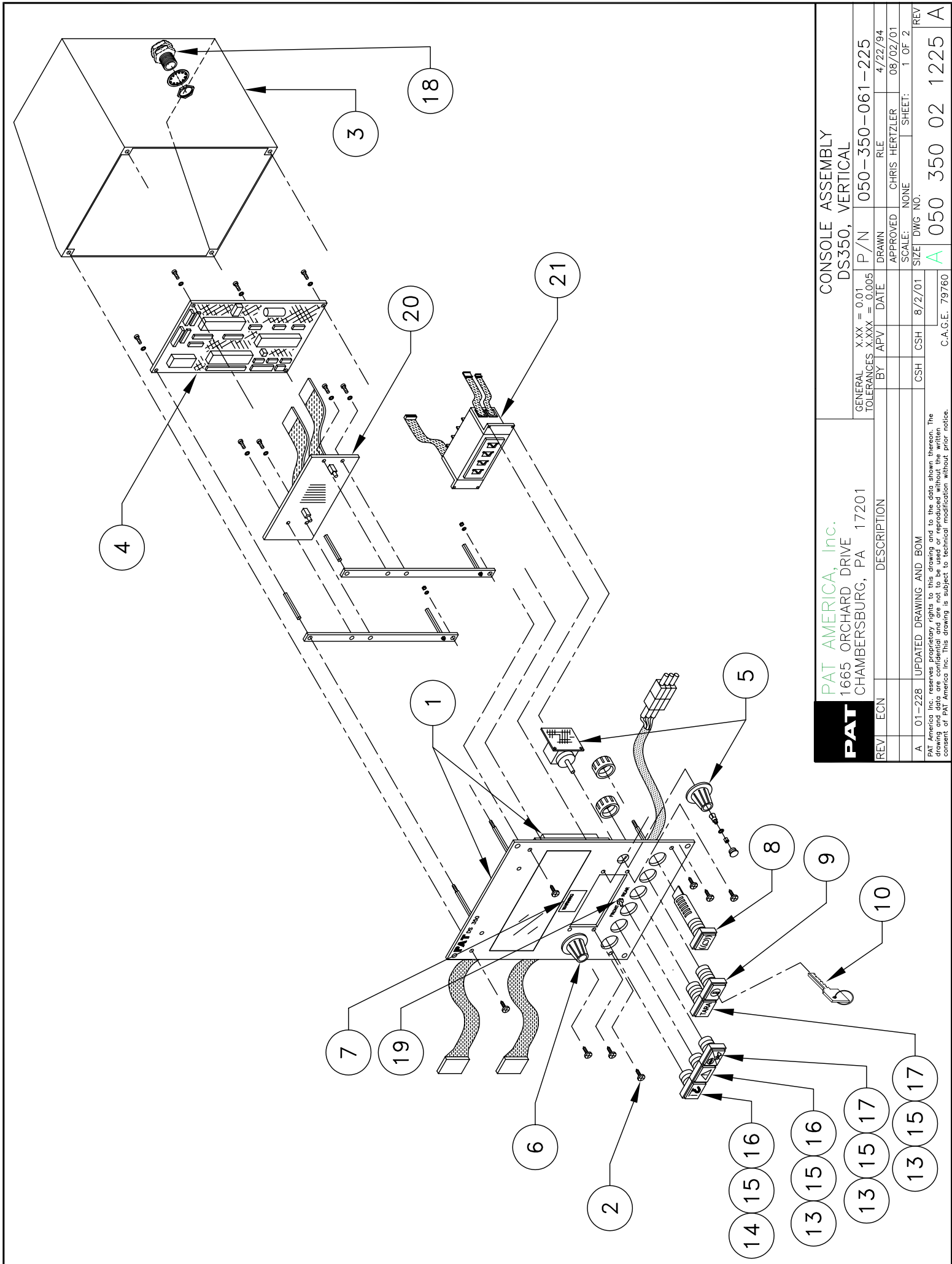


ITEM	PART NUMBER	DESCRIPTION	QTY
1	050-350-061-225	CONSOLE, DS350G, 24V, AEG, 4 DECADE SW. (LINKBELT LATTICE CRANE)	1
2	031-300-060-055	CABLE ASSY, 11' 7COND W/ 7 PIN PLUG	1



<b>PAT</b>		PAT EQUIPMENT CORPORATION 1665 ORCHARD DRIVE CHAMBERSBURG, PA 17201		GENERAL TOLERANCES X.XX = 0.01 X.XXX = 0.005		CONSOLE DS350 VERTICAL W/ AEG & CABLE ASSY	
REV	ECN	DESCRIPTION	BY	APV	DATE	RLE	REV
C	9700339	CORRECT CABLE ASSY P/N & WIRING SWITCH TO CONN	CSH	CSH	12/09/97	APPROVED	10/03/94
B	970178	CHG KEYSWITCH WIRING	CSH	CSH	06/20/97	CHRIS HERTZLER	02/28/96
A	96246	CHG DIMENSIONS & ADD WIRING DIAGRAM	CSH	CSH	02/28/97	SCALE: NONE	SHEET: 1 OF 1
		PAT Equipment Corporation reserves proprietary rights to this drawing and to the data shown thereon. The drawing and data are confidential and are not to be used or reproduced without the written consent of PAT and are subject to change without notice. This drawing is subject to technical modification without prior notice.		9602334		SIZE DWG NO.	
				A 031 300 10 0502		C	
				C.A.G.E. 79760			



<b>PAT</b>		PAT AMERICA, Inc. 1665 ORCHARD DRIVE CHAMBERSBURG, PA 17201		CONSOLE ASSEMBLY DS350, VERTICAL	
REV	ECN	DESCRIPTION	BY	APV	DATE
A	01-228	UPDATED DRAWING AND BOM	CSH	CSH	8/2/01
GENERAL TOLERANCES		X.XX = 0.01	P/N	050-350-061-225	
TOLERANCES		X.XXX = 0.005	DRAWN	RLE	4/22/94
			APPROVED	CHRIS HERTZLER	08/02/01
			SCALE:	NONE	SHEET: 1 OF 2
			SIZE	DWG NO. A 050 350 02 1225	
					REV A
					C.A.G.E. 79760

PAT America Inc. reserves proprietary rights to this drawing and to the data shown thereon. The information contained herein is the property of PAT America Inc. This drawing is subject to technical modification without prior notice.



DWG NO. 050 350 06 1225 REVISION A

PAGE 2 OF 2

PART NO. 050-350-061-225

DS350 VERTICAL CONSOLE 24V W/AEG DISPLAY & HOIST SEL;  
PARTS LIST

NO.	PART NO.	QTY	DESCRIPTION
01	050-350-110-243	1	FRONT PANEL WITH AEG DISPLAY
02	031-300-100-826	4	SCREW, MOUNTING FOR FRONT FACE
03	050-350-100-143	1	HOUSING, DS350/1225 CONSOLE
04	050-350-300-032	1	BOARD, MAIN DS350G CONSOLE 12V
05	050-350-110-140	1	SWITCH, ROTARY, GEOMETRIC DATA 1-16
06	050-350-110-153	1	SWITCH, ROTARY, REEVING POSITION N-15
07	031-300-100-353	1	DECAL, WARNING, FOR CONSOLES
08	000-323-013-181	1	ALARM, LUMITAS (BUZZER) DS350 CONSOLE
09	003-051-903-364	1	KEYSWITCH, CONSOLE DS150/350G/GW/GWV W/KEYS
10	050-350-100-001	1	KEY, DS 350G & DS350C CONSOLE
11	050-350-110-079	1	SWITCH ACCY, LENS CAP, GREEN W/ FILM INLET (TARA)
12	050-350-110-075	1	SWITCH ACCY, LENS CAP, RED W/ FILM INLET (STOP/BUZZER OFF)
13	050-350-110-073	1	SWITCH ACCY, LENS CAP, YELLOW W/ FILM INLET (PREWARNING)
14	050-350-110-074	1	SWITCH ACCY, LENS CAP, RED W/ FILM INLET (A2B)
15	000-311-023-128	4	LAMP, 28V, LUMITAS
16	003-050-441-036	2	LAMP, BASE (LUMITAS) LMI CONSOLE
17	000-305-043-423	2	SWITCH, PUSHBUTTON & LAMP, CONSOLE, DS350
18	050-350-110-116	2	STRAIN RELIEF ASSY, PG 13.5 RED, LONG THREAD, W/NUT+WASHER
19	050-000-110-064	1	SWITCH, TOGGLE, HOIST SELECTOR
20	050-000-300-025	1	BOARD, ILLUMINATION SET, DS350 CONSOLE
21	050-350-110-234	1	SWITCH 4 DIGIT OPERATING MODE SELECT W/WIRES