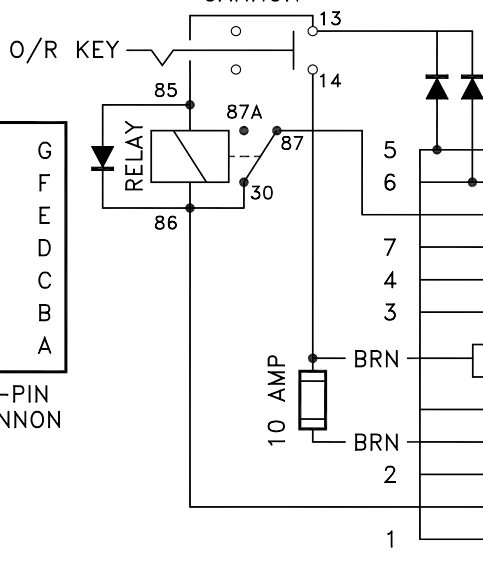
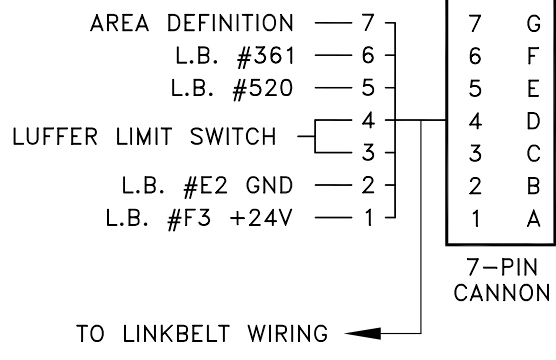
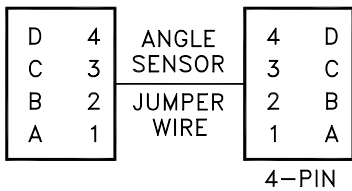
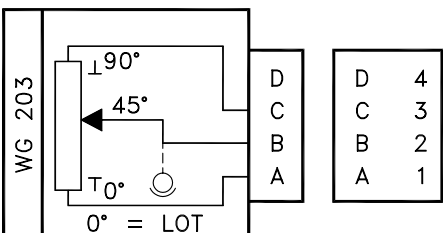
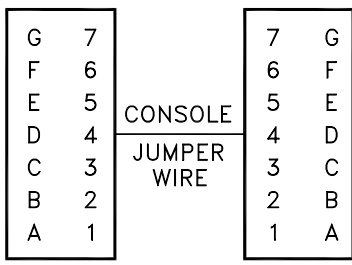
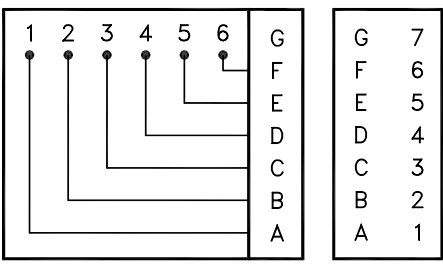
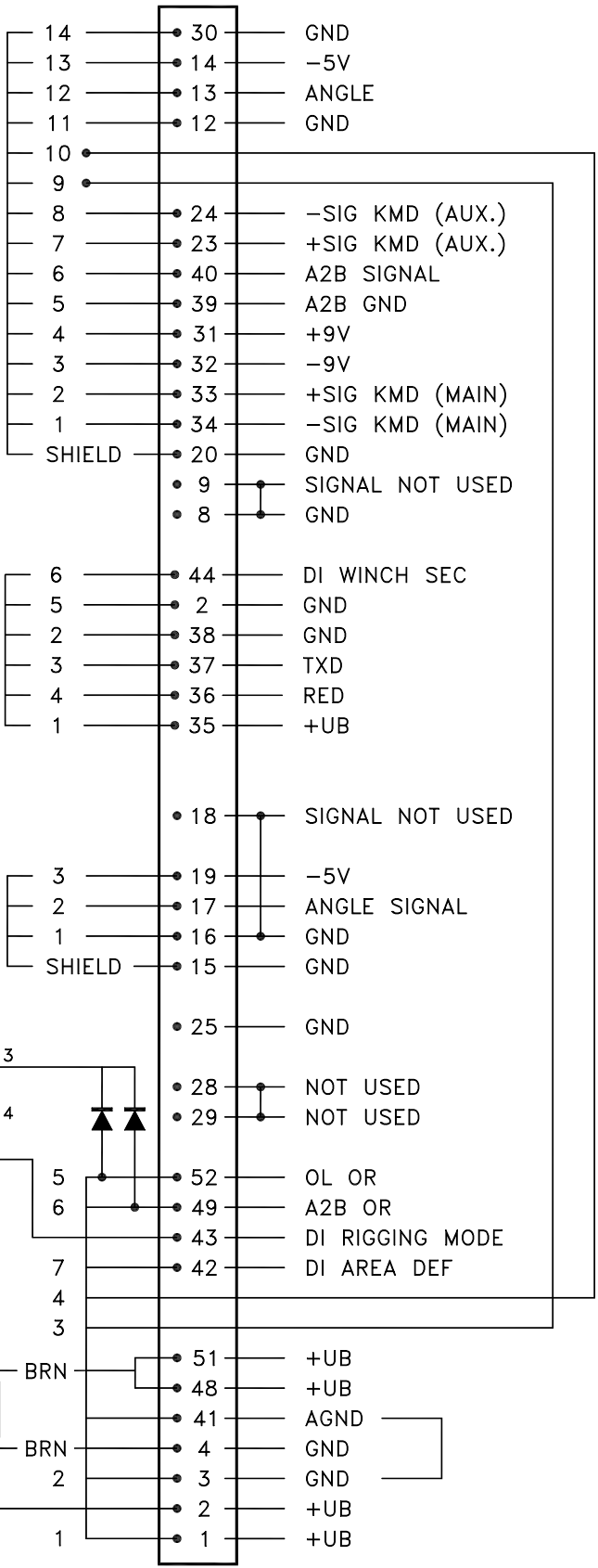
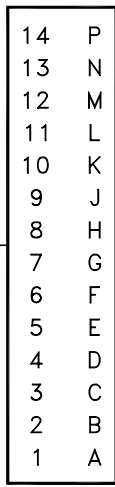
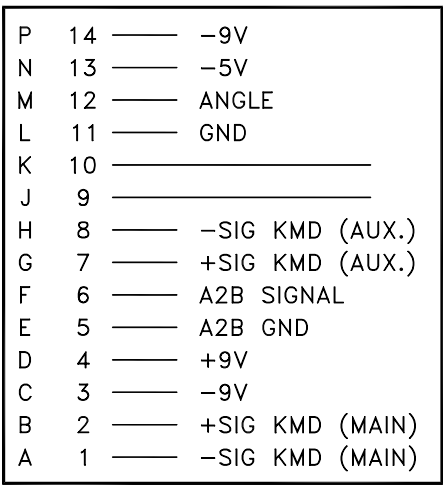


CONTINUED ON PAGE 4...



C.A.G.E. 79760				SCALE 1/1 (NTS)		PAGE 3 OF 4		
MATERIAL								
				DATE	NAME			
				DWN. BY	RLE			
				APPROV.				
1	ADDED ONE DIODE	11/7/94	RLE					
REV.	DESCRIPTION	DATE	NAME					

ELECTRICAL DIAGRAM
CENTRAL UNIT ASSEMBLY
12V STANDARD
031-300-100-418