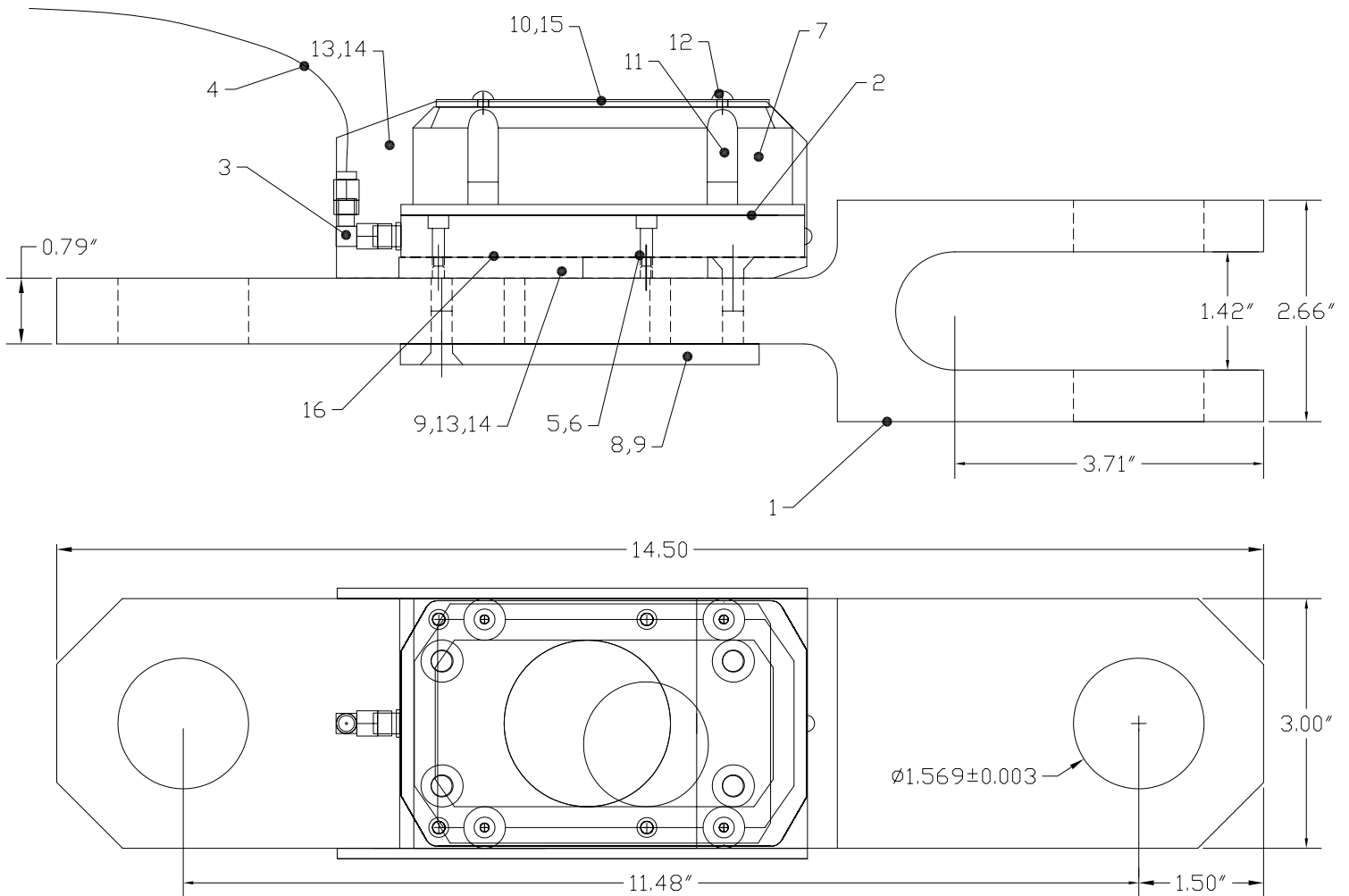



REV	ECN	DESCRIPTION	BY	APV	DATE

ITEM	PART NUMBER	QTY	DESCRIPTION
1	031-300-060-490	1.0	SENSOR, FORCE TRANS, 15K RADIOMASSLOAD (REV 3) 1.6mv/v S.S
2	031-300-050-654	1.0	RATB, TRANSMITTER ASSY-2072-04LEVEL 5 BOARD
3	031-300-050-535	1.0	CONNECTOR, SMA RIGHT ANGLE M/FREVERSE POLARITY
4	031-300-060-559	1.0	ANTENNA ASSY, 918 MHz WHIP FORLOAD CELL
5	031-300-050-639	4.0	SCREW, #6-32 X 5/16, 18-8 SSSLOTTED FILLISTER HEAD
6	031-300-050-527	4.0	HARDWARE, STANDOFF 6-32 x .250MF 18-8 SS 1/4" OD
7	031-300-050-292	4.0	BATTERY, "C" CELL 1.5V
8	031-300-050-634	1.0	PLATE, MOUNTING RADIO LOADTRANSMITTER 3.85 x 3"
9	031-300-050-531	4.0	SCREW, 1/4-20 x 1/2" FH. PH.18-8 SS
10	031-300-050-528	1.0	PLATE, RADIO LOAD TRANSMITTERPROTECTION COVER
11	031-300-050-529	4.0	SPACER, RADIO LOAD TRANSMITTER0.870 LONG, 0.375 OD, 0.157 ID
12	031-300-050-545	4.0	SCREW, #6-32 X 1.75" PH. PH.MACHINE SCREW 18-8 SS
13	031-300-050-633	1.0	PLATE, MOUNTING RADIO LOADTRANSMITTER W/SIDE PLATES
14	031-300-050-541	8.0	TAPE, DOUBLE SIDED 3" FM2453AVERY DENNISON
15	031-300-050-653	1.0	DECAL, PAT TRANSMITTER FCC
16	031-300-050-649	1.0	GASKET, RADIO TRANSMITTER
17	123-429-902-210	1.0	TERMINAL, RING 1/4" 16-14 AWG
18	123-429-907-160	0.5	WIRE, HOOKUP 20 AWG BLACK




**Hirschmann ECS Division,**  
**PAT AMERICA, Inc.**  
 1665 ORCHARD DRIVE  
 CHAMBERSBURG, PA 17201

PAT America, Inc. reserves proprietary rights to this drawing and to the data shown thereon. The draughting and data are confidential and are not to be used or reproduced without the written consent of PAT America, Inc. This drawing is subject to technical modification without notice.

C.A.G.E. 79760

TITLE		15K LOAD CELL ASSEMBLY WITH RADIO TRANSMITTER	
GENERAL TOLERANCES	ECN: 03-087	031-300-060-571	
±0.1"	1 PLACE DEC.	±2.5mm	DRAWN CSH 10/17/03
±0.01"	2 PLACE DEC.	±0.25mm	APPROVED CSH 10/17/03
±0.005"	3 PLACE DEC.	±0.13mm	SCALE: SHEET: 1 OF 1
1/16"	FRACTION	±1.5mm	DWG NO. 031 300 06 0571
REV		-	