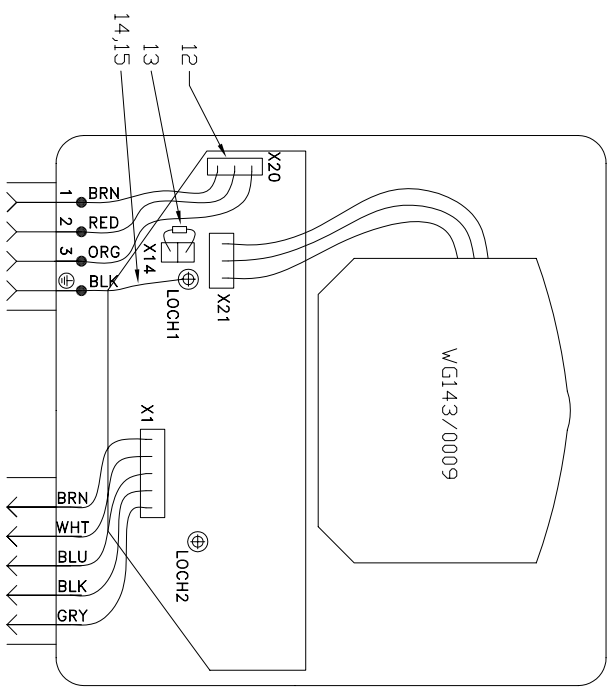
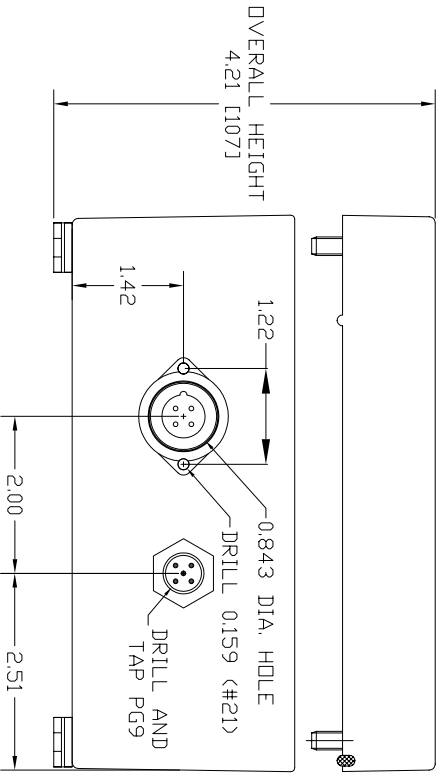
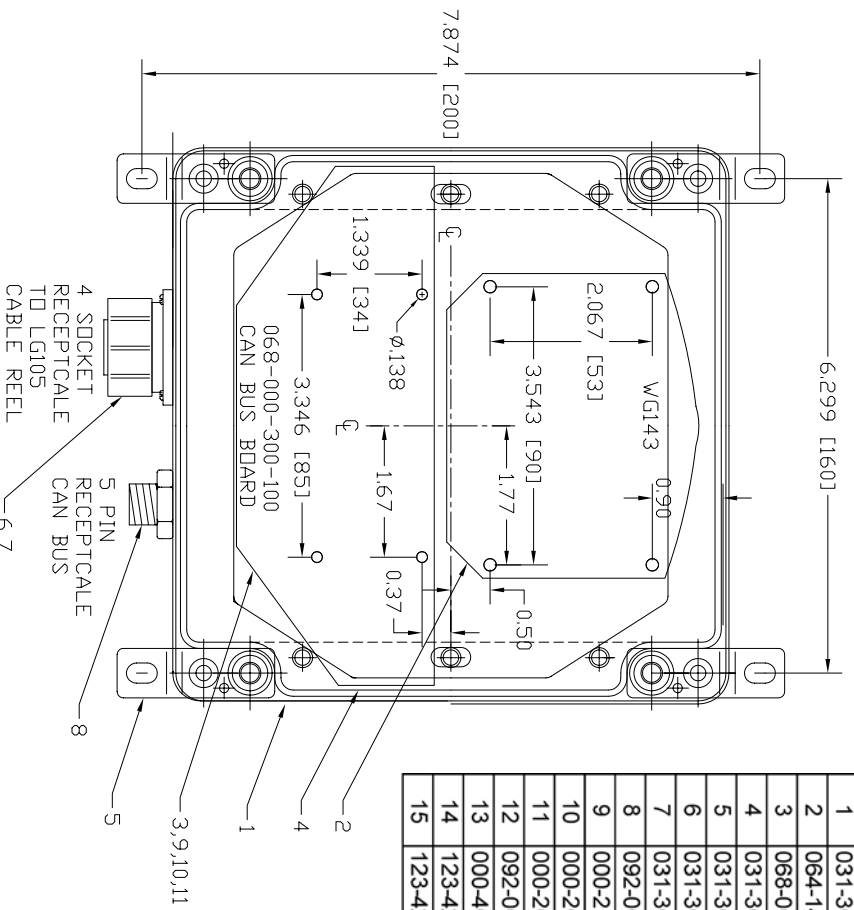


ITEM	PART NUMBER	QTY	DESCRIPTION
1	031-300-050-569	1.00	BOX ROSE 180x180x101
2	064-143-060-009	1.00	SENSOR, ANGLE WG143/9 IFLEX CAN
3	068-000-300-103	1.00	BOARD, TERMINAL FOR LG/LWG508 CAN 10-30V
4	031-300-050-650	1.00	PLATE, CAN BUS BRD & WG143 ANGLE ADJUSTMENT
5	031-300-050-570	1.00	BRACKET, EXTERNAL FEET 4/PACK WITH SCREWS
6	031-300-050-455	1.00	CONNECTOR, AMPHENOL REC. 3+PE SKT. INSIDE THREAD
7	031-300-050-525	2.00	SCREW, #8-32 X 3/8 SELF-SEAL. PH/PHILLIPS SCREW
8	092-000-060-387	1.00	CONNECTOR, 5 PIN RECEPTACLE, IFLEX LWG508/1
9	000-212-020-312	4.00	HARDWARE, STANDOFF 3mm x 12 FF5mm HEX
10	000-205-370-306	8.00	SCREW, 3mm x 6mm PH, PH.
11	000-208-030-030	8.00	WASHER, 3mm CONCAVE BELLVILLE
12	092-000-060-382	1.00	CABLE, 3pol JST-PLUG 15cm DS85 J-BOX LENGTH CONNECTION
13	000-401-024-470	1.00	EC, RESISTOR 4K7 5% 1/4W
14	123-429-902-190	1.00	TERMINAL, RING #8 16-14 AWG
15	123-429-907-160	0.50	WIRE, HOOKUP 20 AWG BLACK



CAN BUS NODE FOR A2B AND ANGLE/LENGTH SENSORS

		PAT AMERICA, Inc. 1665 ORCHARD PARK CHAMBERSBURG, PA 17201		DESCRIPTION CAN BUS NODE FOR A2B AND ANGLE/LENGTH SENSORS	
DRAWN BY: CHRIS HERTZLER DATE: 02/20/04	CHECKED BY: CHRIS HERTZLER DATE: 02/20/04	PART NUMBER 031-300-06-0437	REV. C	DRAWN BY: CHRIS HERTZLER DATE: 02/20/04	CHECKED BY: CHRIS HERTZLER DATE: 02/20/04
APPROVED BY: CHRIS HERTZLER DATE: 02/20/04	NONE	SHEET 1 OF 1	PART NUMBER 031-300-060-437	CSH 02/20/04	CSH 02/20/04
C 03-136 03-084	C3 C-6	CHG MOUNTING PLT TO 050-650 CHANGE HOLE DIA OF 4-SKT RECEPT.	CSH 07/15/03	C 03-136 03-084	C3 C-6
C.A.G.E. 79/60	REV. ECN	DESCRIPTION	BY APVD	DATE	DATE

PAT America, Inc. reserves proprietary rights to this drawings and to the data shown hereon. The drawing and data are confidential and are not to be used or reproduced without the written consent of PAT America, Inc. This drawing is subject to technical modification with out notice.