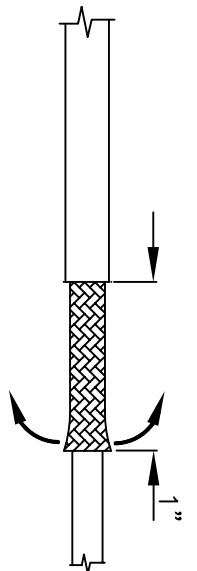
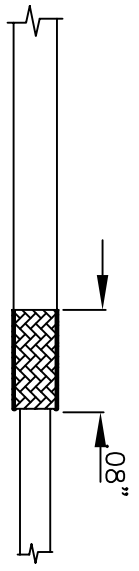


EI-65 CONSOLE
031-300-060-004

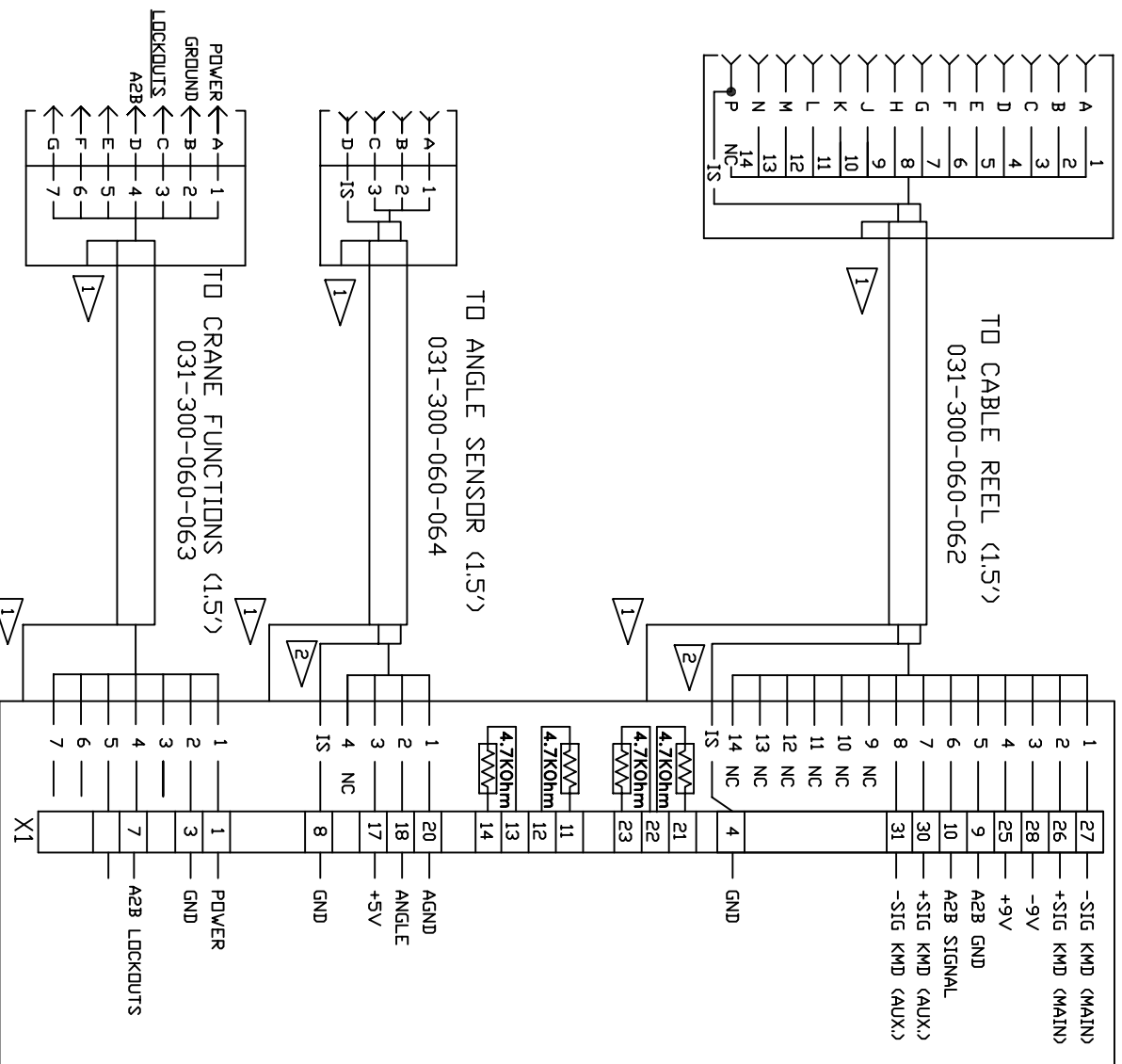
OUTTER SHIELD GROUNDED AT COMPACT STRAIN RELIEF



CUT OUTER SHIELD BACK TO APPROXIMATELY 1 INCH.

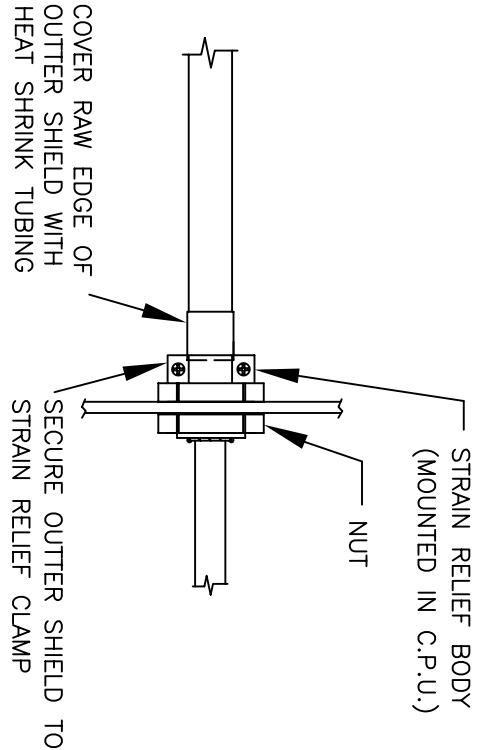


THEN FOLD OUTER SHIELD BACK TO OVER THE OUTER JACKET, SO THE OUTER SHIELD IS 0.8 INCHES IN LENGTH.



- 1 OUTER SHIELD GROUNDED AT STRAIN RELIEF INSERT FOR COMPACT STRAIN RELIEF GROUND AT CLAMP USING THE INSTRUCTIONS SHOWN
 - 2 SOLDER AN INSULATED WIRE TO INNER SHIELD AND CONNECTED AS SHOWN
- IS = INNER SHIELD

PAT PAT EQUIPMENT CORPORATION 1665 ORCHARD DRIVE CHAMBERSBURG, PA 17201		GENERAL TOLERANCES X.XX = 0.01 X.XXX = 0.005		EI 65 CONSOLE ASSEMBLY VERTICAL WIRING DIAGRAM P/N 031-300-060-004					
REV	ECN	DESCRIPTION	BY	APV	DATE	DRAWN	APPROVED	CHRIS HERTZLER	01/31/97
G	980165	IS CONNECTED TO 'P', REMOVE WIRE #14 FROM 'P'	CSH	CSH	06/25/98			CHRIS HERTZLER	01/31/97
F	970123	CONNECT OUTER SHIELD TO STRAIN RELIEF	CSH	CSH	05/12/98				
E	970243	ADD CABLE REEL WIRE #14 CONNECT TO X1:8	CSH	CSH	08/02/97				
PAT Equipment Corporation reserves all rights to the drawings and to the data shown hereon. The drawings and data are the property of PAT Equipment Corporation. This drawing is subject to technical modification without notice.			970034	SCALE: NONE		SHEET: 1 OF 1			
C.A.G.E. 79760			SIZE		DWG NO.		031 300 31 0004		REV
			A		G				



COVER RAW EDGE OF OUTER SHIELD WITH HEAT SHRINK TUBING