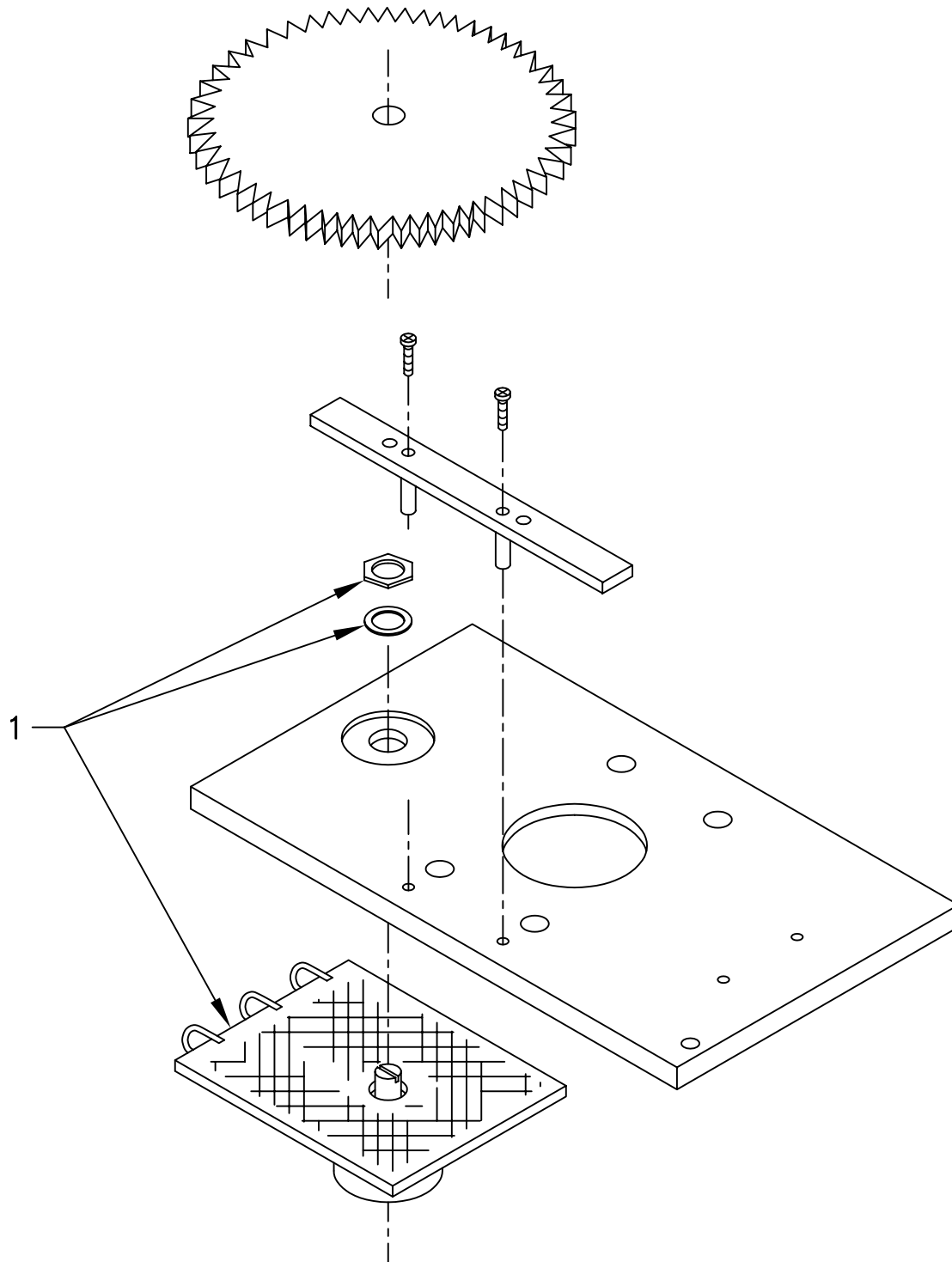



ITEM	PART NUMBER	DESCRIPTION	QTY
1	068-000-110-037	SENSOR, LENGTH POT. (PRINTED CIRCUIT BOARD+POTENTIOMETER)	1

REV	ERN	DESCRIPTION	DATE



C.A.G.E. 79760				SCALE 1/1.5		PAGE 1 OF 1	
MATERIAL							
				DATE	NAME	SENSOR LENGTH TRANSDUCER LGE 100 006-710-006-002	
				DWN. BY 7/12/94	RLE		
				APPROV.			
REV.	DESCRIPTION	DATE	NAME				
 PAT EQUIPMENT CORPORATION 1665 ORCHARD DRIVE CHAMBERSBURG, PA 17201				<small>PAT Equipment Corporation reserves proprietary rights to this drawing and to the data shown thereon. The drawing and data are confidential and are not to be used or reproduced without the written consent of PAT Equipment Corporation. This drawing is subject to technical modification without prior notice.</small>			
BMC02010							