

APEX SAI 33-W3

Standalone indicator for wireless anti-two block switches & windspeed sensors

Applications

- Mobile cranes
- Lifting applications

Special Features

- FCC approval
- Wireless connection of up to two wireless anti-two block (A2B) switches
- Wireless connection of one wireless windspeed
- Signal output (hoist limit) via digital output
- Connection of sensors via push button
- Integrated wireless transmitter
- Wide range of display functions for sensor status / value monitoring and system configuration
- Remotely monitors the battery level of the connected wireless sensors
- IP65 Protection class (suitable for outdoor application)
- Long transmission range

Description

The APEX SAI 33-W3 is a standalone indicator for use with the APEX HES-W3 wireless anti-two block (A2B) switches and APEX WSS-W3 wireless windspeed sensor. Up to two A2B switches and one windspeed sensor can be connected to a single APEX SAI 33-W3 indicator.

The indicator can be configured to trigger a digital output when a hoist limit has been reached. Additionally, the A2B status and windspeed are shown on a graphical display.

Configuration is done via user-interface on the indicator.



APEX SAI 33-W3

APEX 

The APEX family of wireless equipment is designed for use in mobile machinery. The applications range from anti-two block (A2B) switches, to windspeed measurement, as well as angle and force measurement.

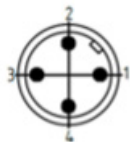
Technical Specifications

APEX SAI 33-W3	
Part number	83903043
Power supply	10V to 30V DC
Frequency range	902 – 928 MHz modulation: OQPSK DSSS license-free
Antenna	900MHz RP-SMA
Antenna connection	RP-SMA
Range	1400m (4539ft) ¹
Electrical connection	M12 /4P male A-coded
Signal output	Up to 2 configurable digital outputs
Control elements	1 pairing button, 4 LEDs, 5 push-buttons for system configuration via display
FCC conformity	N4TWMC915R1
ISEC ID	3196A-WMC915R1
Dimension	151,6 x 76,6 x 77,4 mm
Weight	1 kg
Operating temperature range	-40°C...+70°C
Storage temperature range	-40°C...+85°C
Protection class	IP65

¹ Open field, direct line of sight

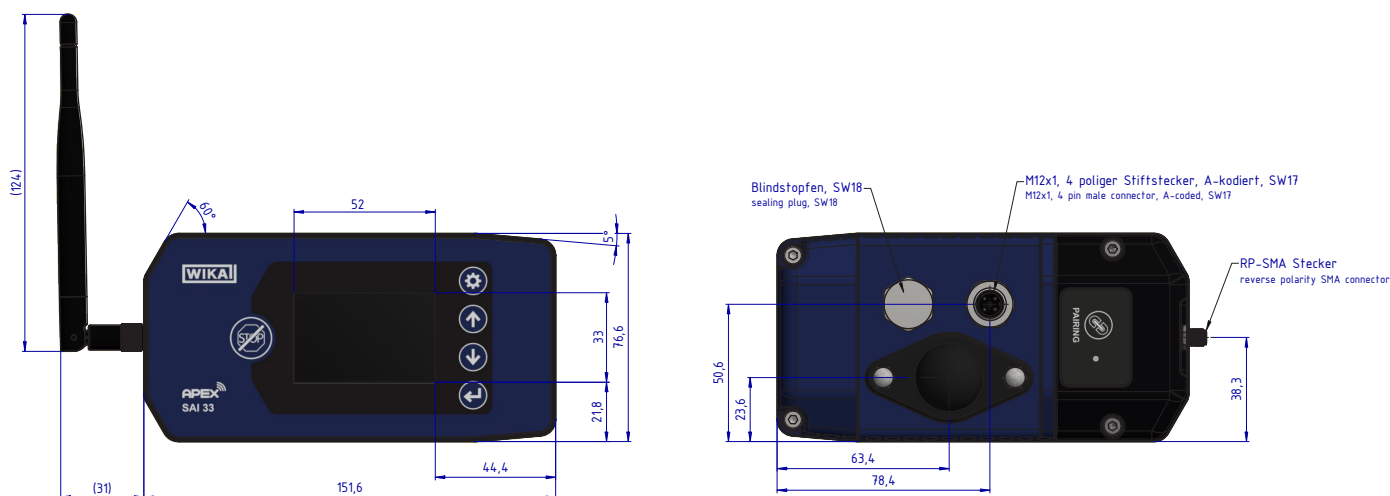
Pin Assignment

Connector type: M12, Male, A-coded, 4 pins



Pin	Signal
1	+UB
2	D01
3	GND
4	D02

Dimensions



02/2023

Page 2 of 2

www.wika-mc.com

WIKAL Mobile Control GmbH & Co. KG
Hertzstraße 32-34 · 76275 · Ettlingen · Germany
Tel. +49 7243 709-0 · sales.wmc@wika.com

WIKAL Mobile Control, LP
1540 Orchard Drive · Chambersburg, PA · USA
Tel. +1 717-217-2200 · sales.us.wmc@wika.com



We reserve the right to make technical changes without prior notice. The individual specifications in this datasheet are warranted properties if they are expressly confirmed by us in writing in the respective case.