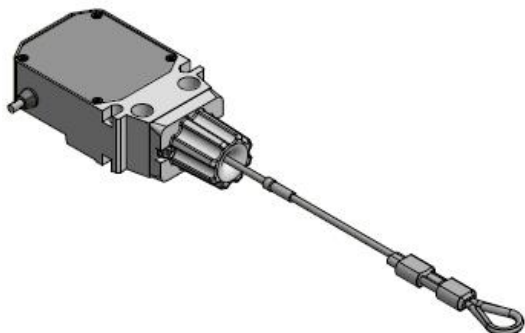


## iSENS HES

A2B Switch



- Positive break limit switch
- IFA (Institute for Occupational Safety and Health) certified final limit switch
- Completely sealed electrical functional part
- Excellent protection against harmful environmental influences

Order code: see item overview below

### Technical specification

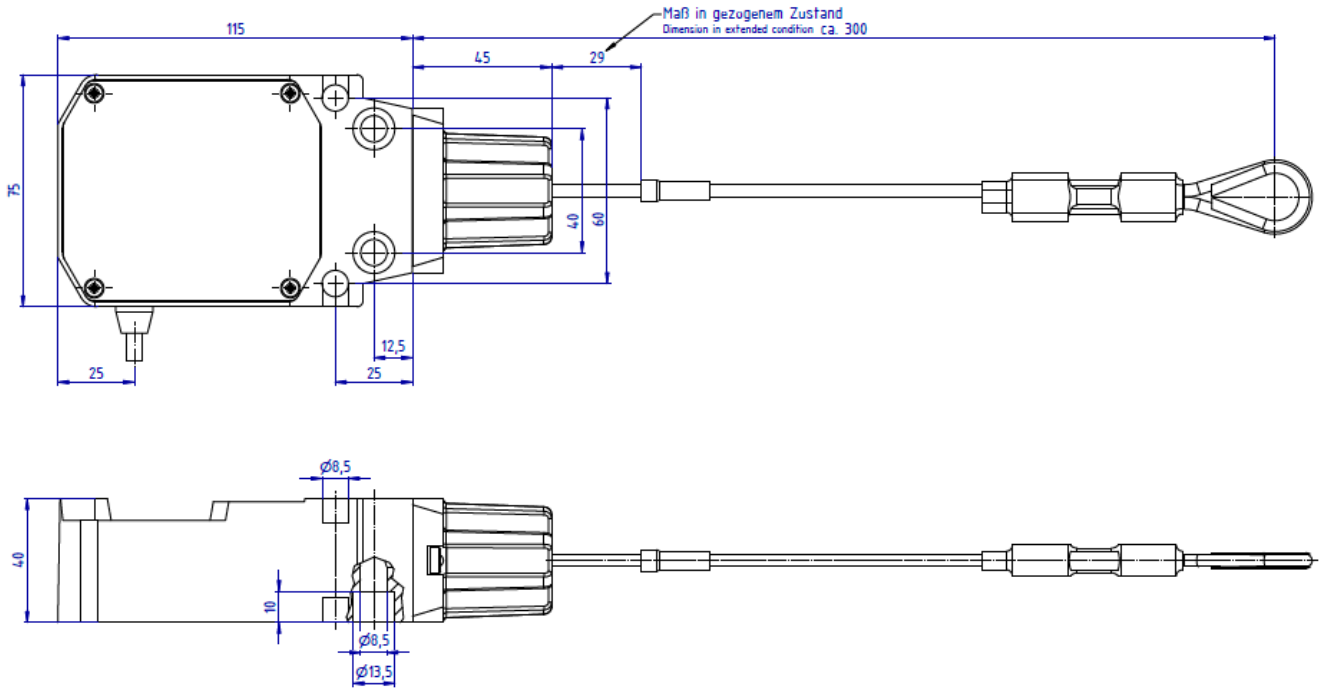
Standard	IEC/EN 60947-5-1
Actuation force	37 N max.
Contact travel	7,5 mm
Connector cable	Available (Details see product specific drawings)
Weight (without accessories)	0,77 kg
Ambient temperature	-40°C .. +75°C
Protection class	IP67 acc. EN 60529, electrical functional part completely sealed
Switching system	Slow action, positive break NC (combined with WMC operating weight 6kg)
Utilization category	AC-15 250V/4A
Rated insulation voltage $U_i$	250V AC
Rated impulse withstand voltage	2,5 kV
Conv. Thermal current $I_{th}$	4 A
Short-circuit protection	4 A gG (IEC 60269-1)
Monitoring lines	Yes, including range resistor (Details see product specific drawing)
Mech. lifespan	> 1 Mio. switching cycles
Switching point hysteresis	$\pm 0,1$ mm
Shock/Impulse resistance	50g/6ms
MTTFd <sup>1 2</sup>	
Mobile Crane	2066 years
Portal- und Bridgecrane	379 years
Reachable Performance Level <sup>3</sup>	
Mobile Crane	PLd
Portal- und BrückenBridgecrane	PLd

<sup>1</sup> For the listed applications only

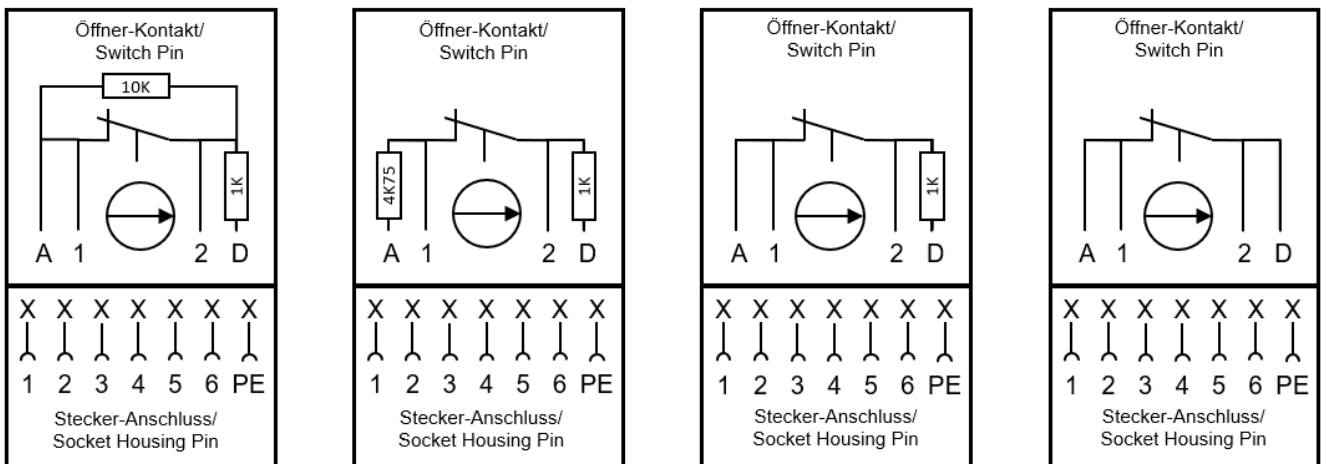
<sup>2</sup> Assuming that mechanical disorders (pollution, ice, etc.) of the A2B pulling rope be excluded by external actions

<sup>3</sup> Further details on request

### Dimensions



### Available configurations for connection line monitoring (depending on A2B type, details see specific drawing)



## Item Overview

Order code	Item name
512002	A2B-switch 0011, BG cert. no. 964031
512003	A2B-switch 0012, BG cert. no. 964031
512004	A2B switch 0013, BG cert. No. 964031
512005	A2B switch 0014, BG cert. No. 964031
512007	A2B switch 0016, BG cert. No. 964031
512008	A2B switch 0017, BG cert. No. 964031
528736	anti-two-block switch 002/HES 0018
529661	HES 0022, 2p, with AMP connector, RATB
534080	A2B switch 0023, BG cert. No. 964031
536249	A2B-switch 0024, IFA cert. no. 1104028,
512840	iSENS HES 002/0025-00/01-05P/STI-10K/1K
608993	iSENS HES 002/0026-00/01-05P/STI-R02-4k
83900355	iSENS HES 002/0027-00/01-03P/STI-R12-IA
83900358	iSENS HES 002/0028-00/01-02P/STI-R14-IA
83900362	iSENS HES 002/0029-00/01-02P/STI-R14-IA
608616	iSENS HES 002/0300-00/01-03P Bu -HID BG
608617	iSENS HES 002/0301-00/01-03P Bu -HID BG
608618	iSENS HES 002/0302-00/01-02PSTI -R13 BG
608619	iSENS HES 002/0303-00/01-02P/BU-R13 BG
608641	iSENS HES 002/0304-00/01-02PSTI -R13 BG
608642	iSENS HES 002/0305-00/01-02PSTI -R13 BG
608649	iSENS HES 002/0310-00/01-02P/Bu -R13 BG
608650	iSENS HES 002/0311-00/01-02PSTI -R13 BG
608651	iSENS HES 002/0312-00/01-02PSTI -R13 BG
608652	iSENS HES 002/0313-00/01-02P/STI-XXX BG
608656	iSENS HES 002/0315-00/01-06P/Bu -XXX BG
608657	SENS HES 002/0316-00/01-06P/Bu -XXX BG
83901289	iSENS HES 002/0318-00/01-05P/STI-R02-4k
83901482	iSENS A2B 002/0319-00/01-03P/STI-R02 IA
83901536	iSENS A2B 002/0320-00/01-03P/STI-R01 IA