

EOP313

Electronic Operating Panel

Applications

- Crane
- Aerial work platform
- Tractor

Special Features

- Compact design
- IP67
- Adjustable indicator brightness
- Adjustable backlight brightness



EOP313-113-S16B0D4C-EP

Description

This electronic operating panel allows you to control the components of mobile construction machinery by pressing buttons. Up to three LEDs per button can be triggered by each returned value.

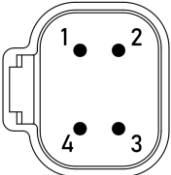
Both the backlight and the LED indicator brightness are adjustable. The key screen printing is resistant to wear.

The product uses CAN for communication.

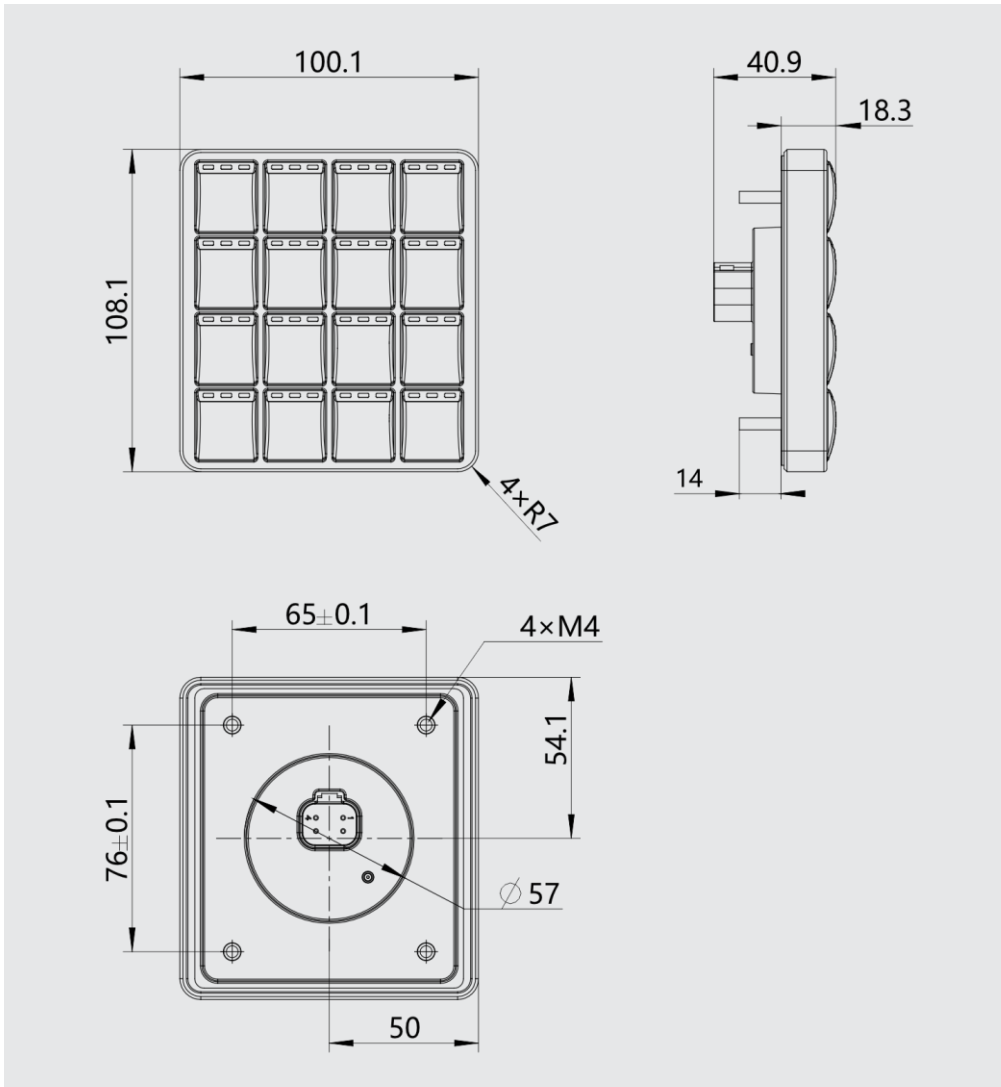
Technical Data

General	
Supply voltage	8 ... 36 V DC
Connector	DT04-4P, male
Communication	1 × CAN 2.0B
Electronic Operating Panel	
Number of keys	16
Number of indicators	48
Indicator color	green (available colors: green, orange, red, white, yellow)
Backlight color	white
Key lifespan	> 500,000 times
Adjustable indicator brightness	5 ... 90 %
Adjustable backlight brightness	5 ... 90 %

Other	
Mounting	4 × M4 screws
Ambient conditions	
Operating temperature	-40 ... +85 °C
Storage temperature	-40 ... +85 °C
EMC	
	EN 61000-6-2:2005 EN 61000-6-4:2007+A1:2011 EN 61000-6-2:2019 EN 61000-6-4:2019
IP rating	IP67
Environment tests	
Temperature test	IEC 60068-2-1, IEC 60068-2-2
Thermal shock test	IEC 60068-2-14
Temperature & Humidity cycling test	IEC 60068-2-38
Vibration test	IEC 60068-2-6
Impact test	IEC 60068-2-27
Drop test	IEC 60068-2-32
Salt spray test	IEC 60068-2-11

Pin Assignment		
CAN interface		
 <p>DT04-4P, male</p>	1	UB
	2	GND
	3	CAN_H
	4	CAN_L

Dimensions in mm



Subject to technical modifications without notice. The individual specifications in this datasheet are assured features, if they are expressly confirmed by us in writing in the respective case.

52-313-21-0001-83904935-EN / Issue C

© WIKA Mobile Control GmbH & Co. KG All rights reserved.

02/2026

Page 3 of 3

www.wika-mc.com

WIKA Mobile Control GmbH & Co. KG
Hertzstr. 32-34 · 76275 Ettlingen · Germany
Tel. +49 7243 709-0 · sales.wmc@wika.com

WIKA Mobile Control, LP
1540 Orchard Drive · Chambersburg, PA · USA
Tel. +1 717-217-2200 · sales.us-wmc@wika.com

