

Pipelayer

↗ Rated Capacity Indicator



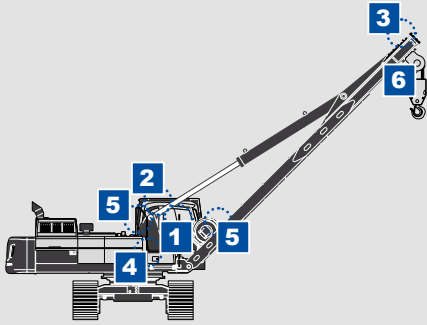
↗ Requirements & features

- Monitoring of maximum load
- Capacity limiter
- Load charts
- Color graphic console
- Inclination monitoring
- Angle and slew angle measurement
- Utilisation bar
- Virtual wall
- Support of operation mode selection
- Operating hours counter
- Data logger / event recorder for motion cut, override, mute
- Hoist limiting
- Configurable user limits
- External, customer-specific CAN communication
- Multilingual (up to ten languages)

↗ Technical Specifications

- **Temperature Range:** -40°C to +70°C
- **Shock/Vibration:**
 - Derived from EN 15011:
 - IEC 60068-2-27 (shock for rough industrial environments)
 - IEC 60068-2-64 (vibration for rough industrial environments)
- **EMC:**
 - Derived from EN 15011:
 - EN 61000-6-2 (immunity for industrial environments)
 - EN 61000-6-4 (immunity for industrial environments)
- **Ingress Protection:**
 - In accordance with EN 60529:
 - IP66
 - IP67
 - IP20 (for electrical cabinet installation)

Product solution



- Either implemented as qSCALE Safe Load Indication by means of a cSCALE or integrated as qSCALE I2

Hardware	
Controllers	1 cSCALE IP20 or IP66/67 or qSCALE I2
Consoles	2 vSCALE D3
Sensors	3 fSENS MA
	4 gSENS DWG20
	5 2x gSENS WGX
	6 A2B Switch
Software	
Load indication	Graphical console application Datalogger



WIKA Mobile Control GmbH & Co. KG

Hertzstr. 32-34
76275 Ettlingen, Germany
Telephone: +49 (7243) 709-0
sales.wmc@wika.com
www.wika-mc.com

We make lifting loads safer!

As an experienced specialist, we have spent many years providing reliable safety solutions for lifting loads, setting innovative standards in the process and ensuring dependable communication between machines and their operators, particularly in harsh environments.

By developing application software, mobile controllers and robust sensors, we ensure that our customers benefit

from maximum safety and equipment uptime.

We are system integrators, supporting our customers through all project phases: from analysis and concept evaluation, through system design and project planning to prototype testing and field launches. Our safety experts support certification processes and are available for seamless life cycle management.