

JTC 82C

Platform Control Unit (PCU) for Scissor Lifts

Applications

- Scissor Lifts

Special Features

- Ergonomic design
- Eye-catching fault indicator and buzzer alarm
- Long mechanical life with more than 1 million cycles
- 2.8" LCD monitor
- 1×CAN 2.0B, 50 kbit/s up to 1 Mbit/s
- WIFI and RFID optionally available



JTC 82C Platform Control Unit

Description

JTC 82C is an integrated platform control device that is specially developed for scissor lifts. Its ergonomic design and 2.8" LCD monitor enable user-friendly and efficient motion control of scissor lifts.

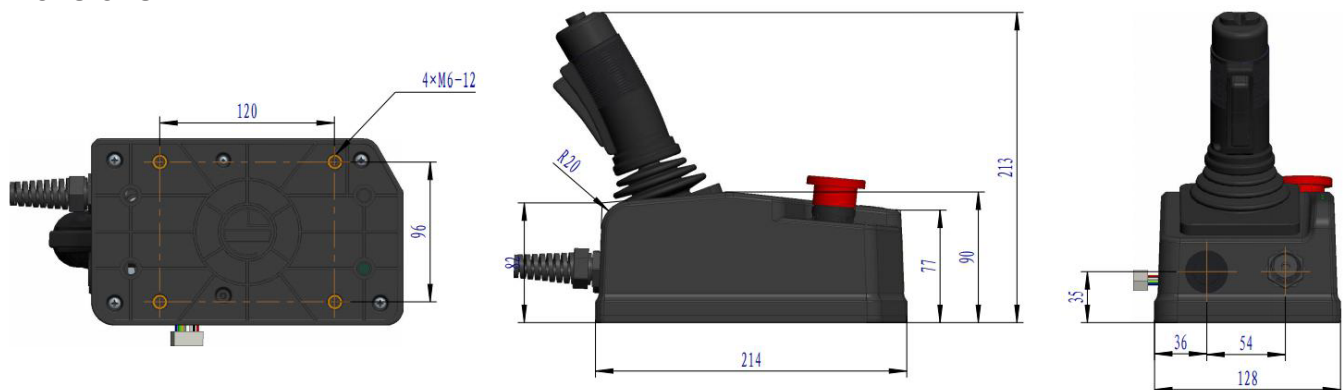
The main functions of our JTC 82C platform control unit is to control the operation of the scissor lift. This includes movements, such as walking, steering, braking or lifting.

Due to its robust design and high-quality built-in components, the JTC 82C platform control unit boasts a long mechanical life with more than 1 million cycles.

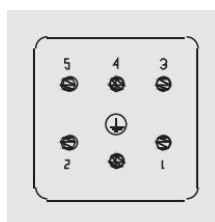
Technical Specifications

JTC 82C	
Operating voltage	9...36 VDC
LCD size	2.8"
Mechanical angle of the joystick	±20°
Mechanical life of the joystick	≥1 million cycles
Mechanical life of the button	≥0.2 million cycles
Housing material	PC+PBT
Operating temperature	-20...+70°C
Storage temperature	-30...+80°C
Protection rating	IP65 (above the panel)
EMC	IEC 61000-6-2, IEC61000-6-4
Vibration resistance	30Hz, 4g, 4h, 2h, 2h, IEC 60068-2-6
Shock resistance	10g, 11ms IEC 60068-2-29

Dimensions



Pin Assignment



1	GND
2	CAN_H
3	E-STOP OUT (24V OUT)
4	+24V
5	CAN_L